

INLGB02IRWF

2.1 MP Vandal Proof Fixed Bullet Network Camera w/IR, SD Slot

- High quality image with 2MP, 1/2.7" CMOS sensor
- True WDR (120 dB) to offer you the best image in the most demanding lighting conditions
- H.265+ & H.264 encoding
- Smart IR, Up to 30 m (98ft) IR distance
- Supports Micro SD Card, up to 128GB



**NDAA
Compliant**

Unify your Security Solution

You asked, we listened. Tailored especially for you, Legend is our **fully NDAA compliant brand**. It offers our latest technologies in a robust build with edge storage capacity. Legend by Inaxsys provides H.265+ compression and easy installation.

Smart H.265+ & H.264

LEGEND smart encoding technology provides high-quality video with higher efficiency and also reduces the cost of storage space and transmission bandwidth by adopting an advanced algorithm of auto stream control.

Wide Dynamic Range

This camera offers vivid imaging in any scenario. Using industry-leading WDR technology, you'll be able to capture the subject in the most difficult lighting conditions.



*Design and specifications are subjects to change without notice.



INLGB02IRWF

2.1 MP Vandal Proof Fixed Bullet Network Camera w/IR, SD Slot

Product Specifications

| Camera | | | | | |
|--------------------------|---|------------|-------------|---------------|--------------|
| Image Sensor | 1/2.7", 2 Megapixel, progressive scan, CMOS | | | | |
| Scanning System | Progressive | | | | |
| Electronic Shutter Speed | Auto/Manual, 1~1/100,000 s | | | | |
| Minimum Illumination | Color: 0.01 Lux (F2.0, AGC ON); 0 Lux with IR | | | | |
| S/N Ratio | More than 52dB | | | | |
| IR Distance | Distance up to 30m (98ft) | | | | |
| Camera Features | | | | | |
| Day/Night | IR-cut filter with auto switch (ICR) | | | | |
| Smart IR | Support | | | | |
| White Balance | Auto/Outdoor/Fine Tune/Sodium Lamp/Locked | | | | |
| Noise Reduction | 2D/3D DNR | | | | |
| Features | HLC; BLC; WDR 120dB | | | | |
| Image Setting | Image rotation, brightness, saturation, contrast, sharpness, gain adjustable by web browser | | | | |
| Flip | Normal/Vertical/Horizontal/180°/90°Clockwise/90°Anti-clockwise | | | | |
| Privacy Masking | Up to 4 areas | | | | |
| OSD | Up to 4 OSDs | | | | |
| Region of Interest | Up to 8 areas | | | | |
| Motion Detection | Up to 4 areas | | | | |
| Defog | Digital Defog | | | | |
| Lens | | | | | |
| Lens Type | Fixed Lens | | | | |
| Focal Length | 2.8mm | | | | |
| Viewing Angle | H: 112.9°; V: 59.1°; O: 121.2° | | | | |
| Pan/Tilt/Rotate | Pan: 3° ~ 360°; Tilt: 0 ~ 90°; Rotate: 0 ~ 360° | | | | |
| DORI | Lens (mm) | Detect (m) | Observe (m) | Recognize (m) | Identify (m) |
| Distance | 2.8 | 42.0 | 16.8 | 8.4 | 4.2 |
| Video | | | | | |
| Compression | H.265+, H.265, H.264, MJPEG | | | | |
| H.264 code profile | Baseline Profile, Main Profile | | | | |
| Frame Rate | Main Stream: 1080P (1920*1080), Max 30fps; 720P (1280*720), Max 30fps Sub Stream: 720P (1280*720), Max 30fps; D1 (720*576), Max 30fps; 640*360, Max 30fps; 2CIF(704*288), Max 30fps; CIF(352*288), Max 30fps; | | | | |
| Video Bit Rate | 128 Kbps ~ 6144 kbps | | | | |
| Storage | | | | | |
| Edge Storage | Micro SD, up to 128GB | | | | |
| Network Storage | ANR, NAS(NFS) | | | | |

*Design and specifications are subjects to change without notice.



INLGB02IRWF

2.1 MP Vandal Proof Fixed Bullet Network Camera w/IR, SD Slot

Product Specifications

| Network | |
|----------------------------|--|
| Ethernet | 1 RJ45 10M/100M Base-TX Ethernet |
| Protocol | IPv4, IGMP, ICMP, ARP, TCP, UDP, DHCP, RTP, RTSP, RTCP, RTMP, DNS, DDNS, NTP, FTP, UPnP, HTTP, HTTPS, SMTP, QoS, SSL/TLS, SNMP |
| Compatibility | ONVIF (Profile S, Profile G, Profile T), API, SDK |
| Security | Password protection, Strong password, HTTPS encryption, Export operation logs, Basic and digest authentication for RTSP, Digest authentication for HTTP, TLS 1.2, WSSE and digest authentication for ONVIF |
| User/Host | Up to 32 users. 2 user levels: administrator and common user |
| Management Software | LEGEND VMS / ARKIV |
| Web Browser | Live view with plug-in required: Firefox 52 and below, Chrome 41 and below, IE9+ |
| | Live view without plug-in: Firefox 58.0+, Chrome 57.0+, Edge 16+ |
| Audio | |
| Audio Compression | G.711 |
| Suppression | Supported |
| Sampling Rate | 8KHZ |
| Built-in Microphone | Supported |
| Certifications | |
| EMC | FCC: FCC Part 15 |
| Safety | CE: EN 60950-1 UL: UL60950-1 IEC 60950-1 |
| General | |
| Power Supply | DC 12V±25%, PoE (IEEE 802.3af) |
| Power Consumption | Less than 7.0W |
| Working Environment | -30°C to 60°C (-22°F to 140°F) / Less than 95% RH |
| Material | Metal |
| Ingress & Surge Protection | IP67; 4KV |
| Weight | 0.86 lb (0.39kg) |
| Dimensions | 165 × 63 × 62mm (6.5" × 2.5" × 2.5") |

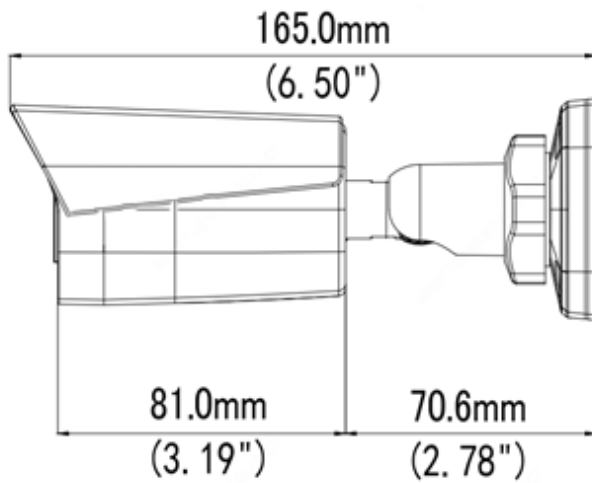
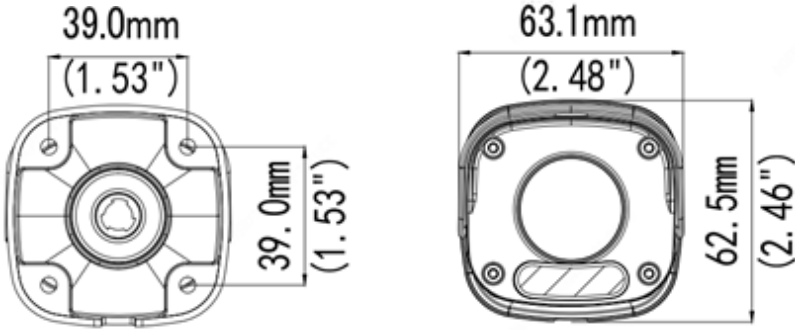
*Design and specifications are subjects to change without notice.



INLGB02IRWF

2.1 MP Vandal Proof Fixed Bullet Network Camera w/IR, SD Slot

Product Specifications



**XLGJB05-A
Junction Box**



**XLGA01
Waterproof Joint**



**XLGUP06-C
Pole Mount**



**VUSD256G
Micro SD Card**



**XLGUP06-B
Pole Mount**



Optional



**XLGA01
Waterproof Joint**



**XLGUP06-C
Pole Mount**

*Design and specifications are subjects to change without notice.

