

INLGB04IRA

4.1 MP Vandal Proof Motorized Lens Bullet Network Camera w/IR, SD Slot

- Incredible 4MP Auto Focus Lens; ready-to-operate!
- H.265+ & H.264 encoding
- Smart IR, Up to 30 m (98ft) IR distance
- Smart Detection: Intrusion, Human Detection and more
- Supports Micro SD Card, up to 256GB



NDAA
Compliant

Unify your Security Solution

You asked, we listened. Tailored especially for you, Legend is our **fully NDAA compliant brand**. It offers our latest technologies in a robust build with edge storage capacity. Legend by Inaxsys provides H.265+ compression and easy installation.

Smart H.265+ & H.264+

LEGEND smart encoding technology provides high-quality video with higher efficiency and also reduces the cost of storage space and transmission bandwidth by adopting an advanced algorithm of auto stream control.

On-board Analytics

This camera responds accurately to specific events in a given area. Our algorithm enables Human detection, intrusion detection, motion detection and much more. Facilitate your viewing experience using on the edge analytics – one product, multiple features.



*Design and specifications are subjects to change without notice.



INLGB04IRA

4.1 MP Vandal Proof Motorized Lens Bullet Network Camera w/IR, SD Slot

Product Specifications

Camera					
Image Sensor	1/3", 4 Megapixel, progressive scan, CMOS				
Scanning System	Progressive				
Electronic Shutter Speed	Auto/Manual, 1~1/100,000 s				
Minimum Illumination	Color: 0.003 Lux (F1.6, AGC ON) 0 Lux with IR				
S/N Ratio	Less than 56dB				
IR Distance	Distance up to 50m (164ft)				
Wavelength	850nm				
IR On/Off Control	Auto/Manual				
Camera Features					
Day/Night	IR-cut filter with auto switch (ICR)				
Backlight Compensation	Supported				
White Balance	Auto/Outdoor/Fine Tune/Sodium Lamp/Locked/Auto2				
Smart IR	Support				
Flip	Normal/Vertical/Horizontal/180°/90°Clockwise/90°Anti-clockwise				
Noise Reduction	2D/3D DNR				
Features	HLC; BLC; WDR 120dB; Digital Defog				
Privacy Masking	Up to 4 areas				
OSD	Up to 4 OSDs				
Region of Interest	Up to 8 areas				
Lens					
Lens Type	Motorized Lens				
Focal Length	2.8mm ~ 12mm				
Viewing Angle	H: 102.79° ~ 30.86°; V: 54.50° ~ 17.49°; O: 106.94° ~ 35.49°				
Pan/Tilt/Rotate	Pan: 0° ~ 360°; Tilt: 0 ~ 90°; Rotate: 0 ~ 360°				
DORI Distance	Lens (mm)	Detect (m)	Observe (m)	Recognize (m)	Identify (m)
	2.8	63.0	25.2	12.6	6.3
	12	270	108	54	27
Video					
Compression	H.265+, H.265, H.264, MJPEG				
H.264 code profile	Baseline profile, Main profile, High profile				
Frame Rate	Main Stream: 4MP (2688x1520), Max 25fps; 4MP (2560x1440), Max 25fps; 3MP (2304x1296), Max 30fps; 1080P (1920x1080), Max 30fps Sub Stream: 720P (1280x720), Max 30fps; D1 (720x576), Max 30fps; (640x360), Max 30fps				
Events					
Basic Detection	Cross line, Intrusion (based on human body detection); Motion detection, Ultra motion detection, Tampering alarm, Audio detection				
General Function	Watermark, IP Address Filtering, Access Policy, ARP Protection, RTSP Authentication, User Authentication, HTTP Authentication				

*Design and specifications are subjects to change without notice.



INLGB04IRA

Product Specifications

4.1 MP Vandal Proof Motorized Lens Bullet Network Camera w/IR, SD Slot

Network	
Ethernet	1 x RJ45 10M/100M Base-TX Ethernet
Protocol	IPv4, IPv6, IGMP, ICMP, ARP, TCP, UDP, DHCP, RTP, RTSP, RTCP, RTMP, DNS, DDNS, NTP, FTP, UPnP, HTTP, HTTPS, SMTP, SSL/TLS, QoS, 802.1x, SNMP
Compatibility	ONVIF (Profile S, Profile G, Profile T), API, SDK
Security	Password protection, Strong password, HTTPS encryption, Export operation logs, Basic and digest authentication for RTSP, Digest authentication for HTTP, TLS 1.2, WSSE and digest authentication for ONVIF
Client	LEGEND VMS, Arkiv
Web Browser	Plug-in required live view: IE 10 and above, Chrome 45 and above, Firefox 52 and above, Edge 79 and above
	Plug-in free live view: Chrome 57.0 and above, Firefox 58.0 and above, Edge 16 and above
Storage	
Edge Storage	Micro SD card, up to 256GB
Network Storage	ANR, NAS (NFS)
Audio	
Built-in Mic	Support
Audio Compression	G.711U, G.711A
Audio Bitrate	64 Kbps
Suppression	Support
Sampling Rate	8KHZ
Certifications	
EMC	CE-EMC (EN 55032: 2015+A1:2020, EN 61000-3-3: 2013+A1: 2019, EN IEC 61000-3-2: 2019+A1: 2021, EN 55035: 2017+A11:2020) FCC (FCC CFR 47 part15 B, ANSI C63.4-2014)
Safety	CE LVD (EN 62368-1:2014+A11:2017) CB (IEC 62368-1:2014) UL (UL 62368-1, 2nd Ed., Issue Date: 2014-12-01)
General	
Power Supply	DC 12V±25%, PoE (IEEE 802.3af)
Power Consumption	Less than 8.5W
Working Environment	-30°C to 60°C (-40°F to 140°F) / Less than 95% RH
Protection	IP67
Weight	1.2 lbs (0.55kg)
Dimensions	206 × 74 × 74mm (8.1" × 2.9" × 2.9")

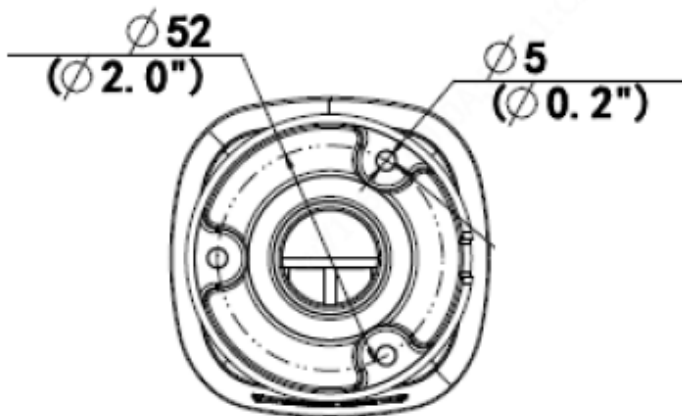
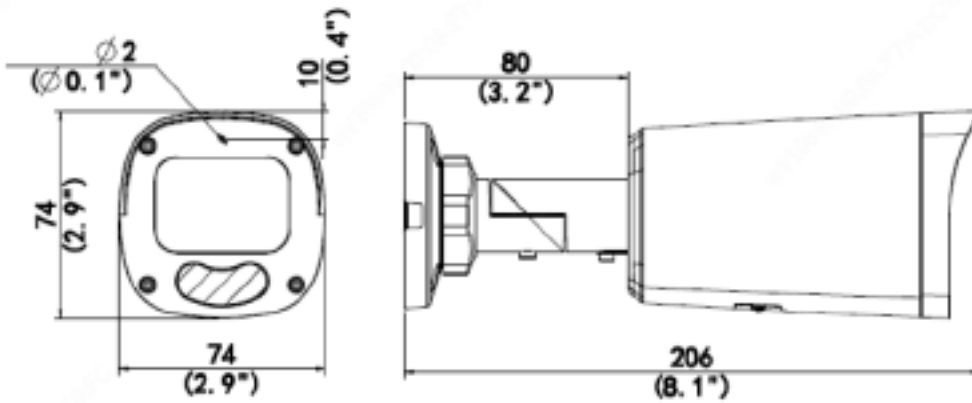
*Design and specifications are subjects to change without notice.



INLGB04IRA

4.1 MP Vandal Proof Motorized Lens Bullet Network Camera w/IR, SD Slot

Product Specifications



**XLGJB05-B
Junction Box**



**XLGA01
Waterproof Joint**



**XLGUP06-C
Pole Mount**



**VUSD256G
Micro SD Card**

*Design and specifications are subjects to change without notice.

