

INLGB05IRWA

5 MP AI Motorized Bullet Network Camera with IR

- High quality image with 5MP, 1/2.7" CMOS sensor
- True WDR (120 dB)
- H.265+ & H.264 encoding
- AI Features: People Flow Counting and Crowd Density Monitoring
- Smart IR, Up to 50 m (164ft) IR distance
- Alarm: 1 in/1 out, Audio: 1 in/1 out



NDAA
Compliant

Unify your Security Solution

You asked, we listened. Tailored especially for you, Legend is our **fully NDAA compliant brand**. It offers our latest technologies in a robust build with edge storage capacity. Legend by Inaxsys provides H.265+ compression and easy installation.

On-board Analytics

This camera responds accurately to specific events in a given area. Our algorithm enables Line Crossing violations, intrusion detection, and much more. Facilitate your viewing experience using on the edge analytics – one product, multiple features.

Wide Dynamic Range

This camera offers vivid imaging in any scenario. Using industry-leading WDR technology, you'll be able to capture the subject in the most difficult lighting conditions.



*Design and specifications are subjects to change without notice.



INLGB05IRWA

5 MP AI Motorized Bullet Network Camera with IR

Product Specifications

Camera					
Image Sensor	1/2.7", 5.0 megapixel, progressive scan, CMOS				
Scanning System	Progressive				
Electronic Shutter Speed	Auto/Manual, 1 ~ 1/100 000s				
Minimum Illumination	Colour: 0.002 Lux (F1.2, AGC ON); 0 Lux with IR				
S/N Ratio	More than 56dB				
IR Distance	Distance up to 50M (164ft)				
Wavelength	850nm				
IR On/Off Control	Auto/Manual				
Wide Dynamic Range	120dB				
Camera Features					
Backlight Compensation	Supported				
White Balance	Auto / Outdoor / Fine Tune / Sodium Lamp / Locked / Auto2				
Noise Reduction	2D/3D DNR				
HLC	Supported				
Defog	Digital Defog				
Privacy Masking	Up to 4 areas				
OSD	Up to 8 OSDs				
Smart IR	Supported				
ROI	Up to 8 areas				
Lens					
Lens Type	Autofocus				
Focal Length	2.7mm to 13.5mm				
Viewing Angle	H: 106.25°~ 30.42°; V: 56.36°~ 17.22°; O: 110.34°~34.18°				
Pan/Tilt/Rotate	Pan: 0° ~ 360°; Tilt: 0 ~ 90°; Rotate: 0° ~ 360°				
DORI Distance	Lens (mm)	Detect	Observe	Recognize	Identify
	2.7	60.8m	24.3m	12.2m	6.1m
	13.5	303.8m	121.5m	60.8m	30.4m
Video					
Compression	H.265+ / H.265 / H.264 / MJPEG				
H.264 code profile	Baseline profile, Main profile, High profile				
Frame Rate	Main Stream: 2880 x 1620, Max 30fps; 2560 x 1440, Max 30fps; 1920 x 1080, Max 30fps;				
	Sub Stream: 1280 x 720, Max 30fps; 720 x 576, Max 30fps; 640 x 360,Max 30fps; 704 x 288, Max 30fps; 352 x 288, Max 30fps;				
	Third Stream: 720 x 576, Max 30fps; 640 x 360,Max 30fps; 704 x 288, Max 30fps; 352 x 288, Max 30fps;				
Bit Rate	128 Kbps ~ 16 Mbps				
Alarm					
Alarm I/O	1/1				

*Design and specifications are subjects to change without notice.



INLGB05IRWA

5 MP AI Motorized Bullet Network Camera with IR

Product Specifications

Network	
Network	1 x RJ45 10M/100M Base-TX Ethernet
Protocol	IPv4, IPv6, IGMP, ICMP, ARP, TCP, UDP, DHCP, PPPoE, RTP, RTSP, RTCP, DNS, DDNS, NTP, FTP, UPnP, HTTP, HTTPS, SMTP, 802.1x, SNMP, QoS, RTMP, SSL/TLS, SSH
Compatibility	ONVIF (Profile S, Profile G, Profile T), API, SDK
User/Host	Up to 32 users. 2 user levels: administrator and common user
Security	Password protection, Strong password, HTTPS encryption, Export operation logs, Basic and digest authentication for RTSP, Digest authentication for HTTP, TLS 1.2, WSSE and digest authentication for ONVIF
Web Browser	Plug-in required live view: IE 10 and above, Chrome 45 and above, Firefox 52 and above, Edge 79 and above
	Plug-in free live view: Chrome 57.0 and above, Firefox 58.0 and above, Edge 16 and above
Management Software	LEGEND VMS, Arkiv
Audio	
Audio I/O	1 x Input: impedance 35kΩ; amplitude 2V [p-p]
	1x Output: impedance 600Ω; amplitude 2V [p-p]
Audio Compression	G.711U, G.711A
Audio Bitrate	64 Kbps
Suppression	Supported
Sampling Rate	8KHZ
Two-way Audio	Supported
Storage	
Edge Storage	Micro SD slot, up to 256 GB
Network Storage	ANR, NAS(NFS)
Smart Features	
Smart Detection	Supports false alarm filtering, Line crossing detection, Intrusion detection, Entering/Leaving Area Detection
Statistical Analysis	People counting, Supports people flow counting, Crowd density monitoring
Basic Detection	Motion detection, Tampering alarm, Audio detection
General Function	Watermark, IP address filtering, Tampering alarm, Alarm input, Alarm output, Access Policy, ARP protection, RTSP authentication, User Authentication
Certifications	
EMC	CE-EMC (EN 55032: 2015+A1:2020, EN 61000-3-3: 2013+A1: 2019, EN IEC 61000-3-2: 2019+A1: 2021, EN 55035: 2017+A11:2020), FCC (FCC CFR 47 part15 B, ANSI C63.4-2014)
Safety	CE LVD (EN 62368-1:2014+A11:2017) CB (IEC 62368-1:2014) UL (UL 62368-1, 2nd Ed., Issue Date: 2014-12-01)
Environment	CE-RoHS (2011/65/EU;(EU)2015/863); WEEE (2012/19/EU); Reach (Regulation (EC) No 1907/2006)
General	
Power Supply	DC 12V±25%, PoE (IEEE 802.3af)
Power Consumption	Less than 8W
Working Environment	-30° C to +60° (-22°F ~ 140°F) / Less than 95% RH (non-condensing)
Protection / Material	IP67; IK10 / Metal
Weight	2.0lbs (0.92kg)
Dimensions	245 × 86 × 72mm (9.6" × 3.4" × 2.8")

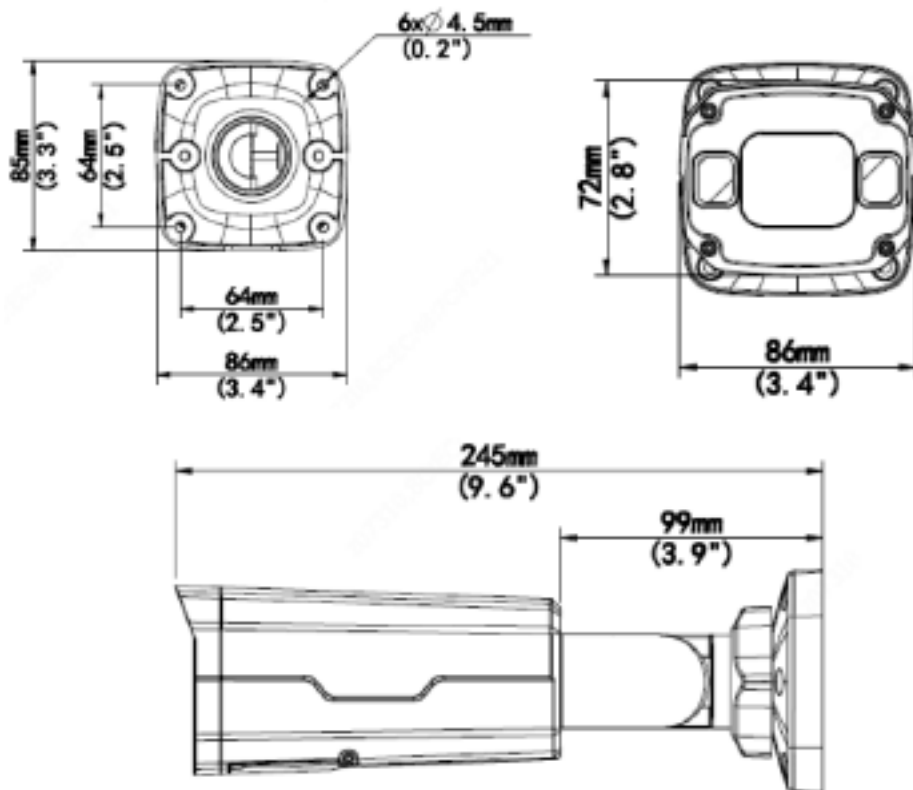
*Design and specifications are subjects to change without notice.



INLGB05IRWA

5 MP AI Motorized Bullet Network Camera with IR

Product Specifications



XLGJB06-A
Junction Box



XLGA01
Waterproof Joint



VUSD256G
Micro SD Card



XLGJB07-D
Junction Box



XLGUP06-B
Pole Mount



XLGUP06-C
Pole Mount

*Design and specifications are subjects to change without notice.

