

INLGB05IRWF

5 MP AI ChromaView Bullet Network Fixed Camera with IR

- High quality image with 5MP, 1/2.7" CMOS sensor
- True WDR (120 dB)
- H.265+ & H.264 encoding
- AI Features: People Flow Counting and Crowd Density Monitoring
- Smart IR, Up to 30 m (98ft) IR distance
- Alarm: 1 in/1 out, Audio: 1 in/1 out



NDAA
Compliant

Unify your Security Solution

You asked, we listened. Tailored especially for you, Legend is our **fully NDAA compliant brand**. It offers our latest technologies in a robust build with edge storage capacity. Legend by Inaxsys provides H.265+ compression and easy installation.

On-board Analytics

This camera responds accurately to specific events in a given area. Our algorithm enables Line Crossing violations, intrusion detection, and much more. Facilitate your viewing experience using on the edge analytics – one product, multiple features.

ChromaView Technology

This technology helps you capture clear color images in practically any low light environment. Using a F1.0 aperture lens ChromaView technology provides a great balance between noise reduction and blurry moving objects.



*Design and specifications are subjects to change without notice.



INLGB05IRWF

5 MP AI ChromaView Bullet Network Fixed Camera with IR

Product Specifications

Camera					
Image Sensor	1/2.7", 5.0 megapixel, progressive scan, CMOS				
Scanning System	Progressive				
Electronic Shutter Speed	Auto/Manual, 1 ~ 1/100 000s				
Minimum Illumination	Colour: 0.001 Lux (F1.0, AGC ON); 0 Lux with IR				
S/N Ratio	More than 56dB				
IR Distance	Distance up to 30m (98ft)				
IR On/Off Control	Auto/Manual				
Wide Dynamic Range	120dB				
Camera Features					
Backlight Compensation	Supported				
White Balance	Auto / Outdoor / Fine Tune / Sodium Lamp / Locked / Auto2				
Noise Reduction	2D/3D DNR				
HLC	Supported				
Defog	Digital Defog				
Privacy Masking	Up to 4 areas				
OSD	Up to 8 OSDs				
Smart IR	Supported				
ROI	Up to 8 areas				
Lens					
Lens Type	Fixed				
Focal Length	4mm				
Viewing Angle	H: 80.2°; V: 43.0°; O: 94.7°				
Pan/Tilt/Rotate	Pan: 0° ~ 360°; Tilt: 0 ~ 90°; Rotate: 0° ~ 360°				
DORI Distance	Lens (mm)	Detect	Observe	Recognize	Identify
	4	90.0m	36.0m	18.0m	9.0m
Video					
Compression	H.265+ / H.265 / H.264 / MJPEG				
H.264 code profile	Baseline profile, Main profile, High profile				
Frame Rate	Main Stream: 2880 x 1620, Max 30fps; 2560 x 1440, Max 30fps; 1920 x 1080, Max 30fps;				
	Sub Stream: 1280 x 720, Max 30fps; 720 x 576, Max 30fps; 640 x 360, Max 30fps; 704 x 288, Max 30fps; 352 x 288, Max 30fps;				
	Third Stream: 720 x 576, Max 30fps; 640 x 360, Max 30fps; 704 x 288, Max 30fps; 352 x 288, Max 30fps;				
Bit Rate	128 Kbps ~ 16 Mbps				
Alarm					
Alarm I/O	1/1				

*Design and specifications are subjects to change without notice.



INLGB05IRWF

5 MP AI ChromaView Bullet Network Fixed Camera with IR

Product Specifications

Network	
Network	1 x RJ45 10M/100M Base-TX Ethernet
Protocol	IPv4, IPv6, IGMP, ICMP, ARP, TCP, UDP, DHCP, PPPoE, RTP, RTSP, RTCP, DNS, DDNS, NTP, FTP, UPnP, HTTP, HTTPS, SMTP, 802.1x, SNMP, QoS, RTMP, SSL/TLS, SSH
Compatibility	ONVIF (Profile S, Profile G, Profile T), API, SDK
Web Browser	Plug-in required live view: IE 10 and above, Chrome 45 and above, Firefox 52 and above, Edge 79 and above
	Plug-in free live view: Chrome 57.0 and above, Firefox 58.0 and above, Edge 16 and above
Management Software	LEGEND VMS, Arkiv
Audio	
Audio I/O	1 x Input: impedance 35kΩ; amplitude 2V [p-p]
	1x Output: impedance 600Ω; amplitude 2V [p-p]
Audio Compression	G.711
Audio Bitrate	64 Kbps
Suppression	Supported
Sampling Rate	8KHZ
Two-way Audio	Supported
Storage	
Edge Storage	Micro SD slot, up to 256 GB
Network Storage	ANR, NAS(NFS)
Smart Features	
Smart Detection	Supports false alarm filtering, Line crossing detection, Intrusion detection, Entering/Leaving Area Detection
Statistical Analysis	People counting, Supports people flow counting, Crowd density monitoring
Basic Detection	Motion detection, Tampering alarm, Audio detection
General Function	Watermark, IP address filtering, Tampering alarm, Alarm input, Alarm output, Access Policy, ARP protection, RTSP authentication, User Authentication
Certifications	
EMC	FCC CFR 47 Part 15
	EN 55032:2015
	EN 55024:2010
	EN 61000-3-2:2014
Safety	EN 61000-3-3-2013
	IEC 62368-1
	EN 62368-1
Environment	UL 62368-1
	CE-RoHS (2011/65/EU;(EU)2015/863); WEEE (2012/19/EU); Reach (Regulation (EC) No 1907/2006)
General	
Power Supply	DC 12V±25%, PoE (IEEE 802.3af)
Power Consumption	Less than 9W
Working Environment	-30° C to +60° (-22°F ~ 140°F) / Less than 95% RH (non-condensing)
IP & IK	IK10 & IP67
Weight	2.02lbs (0.92kg)
Dimensions	246× 86 × 85mm (9.7" × 3.4" × 3.3")

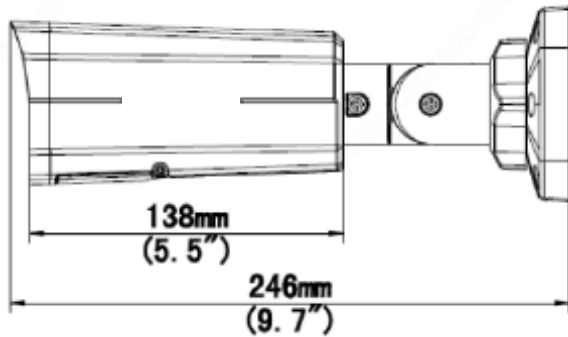
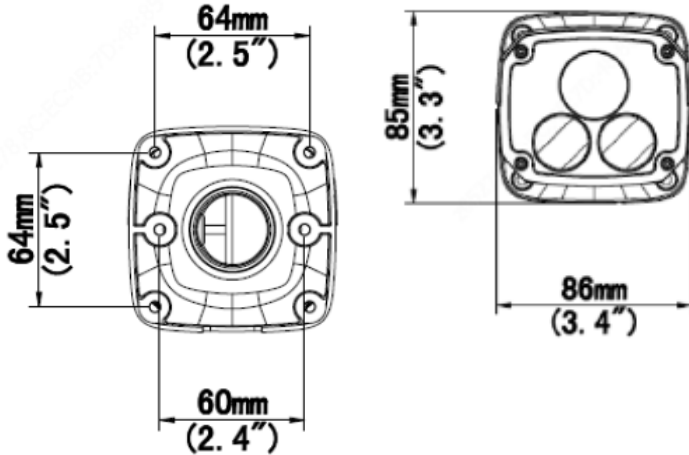
*Design and specifications are subjects to change without notice.



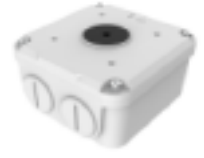
INLGB05IRWF

5 MP AI ChromaView Bullet Network Fixed Camera with IR

Product Specifications



**XLGJB07-D
Junction Box**



**XLGJB06-A
Junction Box**



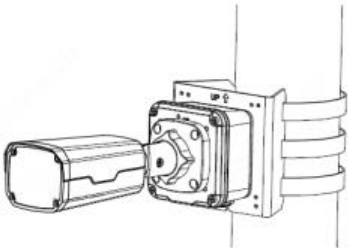
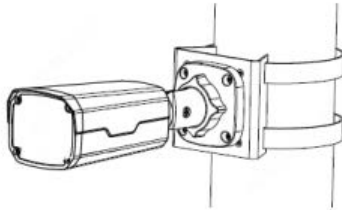
**XLGUP06-B
Pole Mount**



**XLGA01
Waterproof Joint**



**VUSD256G
Micro SD Card**

Junction Mount	Pole Mount
XLGJB07-D (XLGJB06-A) + XLGUP06-C	XLGUP06-B
	



**XLGUP06-C
Pole Mount**

*Design and specifications are subjects to change without notice.

