

INLGD12IRWPTZ5X

2.1MP Interior 5x PTZ IP Camera

- High quality image with 2MP, 1/2.7" CMOS sensor
- Ultra-high image quality in low light environments
- H.265+ & H.264 encoding
- Wi-Fi connection and easy installation
- Face capture, automatic selection of best snapshots
- Smart intrusion prevention, supports false alarm filtering, includes line crossing, Intrusion, Enter/Leave Area detection

Unify your Security Solution

You asked, we listened. Tailored especially for you, Legend is our **fully NDA compliant brand**. It offers our latest technologies in a robust build with edge storage capacity. Legend by Inaxsys provides H.265+ compression and easy installation.

Smart H.265+ & H.264+

LEGEND smart encoding technology provides high-quality video with higher efficiency and also reduces the cost of storage space and transmission bandwidth by adopting an advanced algorithm of auto stream control.

On-board Analytics

This camera responds accurately to specific events in a given area. Our algorithm enables Human Detection, intrusion detection, Tampering Alarm and much more. Facilitate your viewing experience using on the edge analytics – one product, multiple features.

*Design and specifications are subjects to change without notice.



**NDA
Compliant**



INLGDI2IRWPTZ5X

Product Specifications

2.1MP Interior 5x PTZ IP Camera

Camera					
Image Sensor	1/2.7", 2 megapixel, progressive scan, CMOS				
Scanning System	Progressive				
Electronic Shutter Speed	Auto/Manual, 1 ~ 1/100,000s				
Minimum Illumination	Colour: 0.003 Lux (F1.2, AGC ON); 0 Lux with IR				
S/N Ratio	More than 52 dB				
IR Distance	Up to 30m (98 ft) IR range				
IR On/Off Control	Auto/Manual				
Camera Features					
Day/Night	IR-cut filter with auto switch (ICR)				
Blacklight Compensation	BLC / HLC / WDR(120dB)				
OSD	Up to 8 OSDs				
Noise Reduction	2D/3D DNR				
Optical Zoom	5x				
Privacy Masking	Up to 24 areas				
Region of Interest	Supported				
Defog	Digital Defog				
Flip	Normal / Flip Vertical / Flip Horizontal / 180°				
Lens					
Focal Length	2.7 ~ 13.5mm, AF automatic focusing and motorized zoom lens				
Max. Aperture	F1.2				
Viewing Angle	H: 30.6° ~ 106.9°; V: 17.7° ~ 56.0°; O: 37.6° ~ 139.0°				
Wavelength	850nm				
Pan/Tilt/Rotation	Pan: 0° ~ 350° endless; Tilt: 0.1° ~ 90°				
DORI Distance	Lens	Detect	Observe	Recognize	Identify
	W	70.9 (232.5ft)	28.4 (93.0ft)	14.2 (46.5ft)	7.1 (23.3ft)
	T	247.5 (812.0ft)	99.0 (324.8ft)	49.5 (162.4ft)	24.8 (81.2ft)
Video					
Compression	H.265+ / H.265 / H.264+ / H.264 / MJPEG				
Resolution / Frame Rate	Main Stream: 2MP (1920x1080), Max 30fps; Sub Stream: 720P (1280x720), Max 30fps; Third Stream: D1 (720x576), Max 30fps				
Video Bit Rate	128 Kbps ~ 16 Mbps				
Audio					
Audio Compression	G.711A / G.711U				
Audio Bitrate	64 Kbps				
Two-way Audio	Supported				
Suppression	Supported				
Sampling Rate	8KHZ				

*Design and specifications are subjects to change without notice.



INLGDI2IRWPTZ5X

Product Specifications

2.1MP Interior 5x PTZ IP Camera

Intelligent Functions	
Smart intrusion prevention	Supports false alarm filtering, Line crossing detection, Intrusion detection, Region entrance detection, Region exit detection
Recognition	Face capture
Detection	Motion detection, Audio detection, Tampering alarm
General Function	Watermark, IP Address Filtering, Alarm input, Alarm output, Access Policy, ARP Protection, RTSP Authentication, User Authentication
PTZ	
Number of Presets	1024
Patrol	Preset patrol, route patrol, recorded patrol
Home Position	Supported
Network	
Network	RJ45 10M/100M Base-TX Ethernet
Protocol	IPv4, IGMP, ICMP, ARP, TCP, UDP, DHCP, PPPoE, RTP, RTSP, RTCP, DNS, DDNS, NTP, FTP, UPnP, HTTP, HTTPS, SMTP, 802.1x, SNMP, QoS, RTMP, SSL/TLS
Compatibility	ONVIF (Profile S, Profile G, Profile T), API, SDK
Video Software Management	Legend VMS, Arkiv
Storage	ANR; NAS; Micro SD card up to 256GB
Security	Password protection, HTTPS encryption, basic and digest authentication for RTSP, digest authentication for HTTP, TLS 1.2, WSSE and digest authentication for ONVIF
Smart Phone	iOS, Android
Interface	
RS485	1
Audio In/Out	1/1
Alarm In/Out	2/1
Built-in Mic	Supported
Built-in Speaker	Supported
WiFi	Supported (IEEE802.11b/g/n)
General	
Power Supply	DC12V(±25%), PoE(IEEE 802.3at)
Power Consumption	Less than 15W
Working Environment	-10°C to 50°C (-14°F ~ +122°F); Less than 95% RH
Surge Protection	2KV
Weight	1.67 lbs (0.76kg)
Dimensions	Φ 129 x 143.6mm (Φ 5.1" x 5.7")

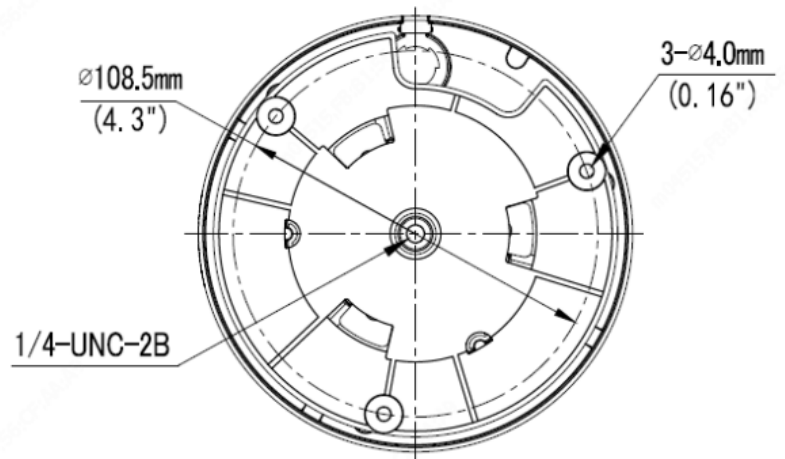
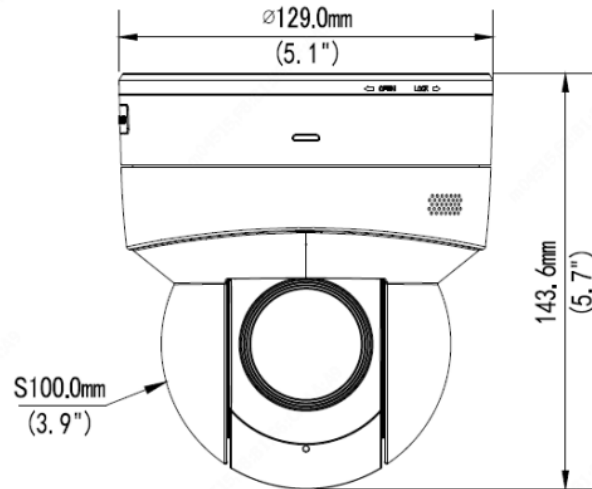
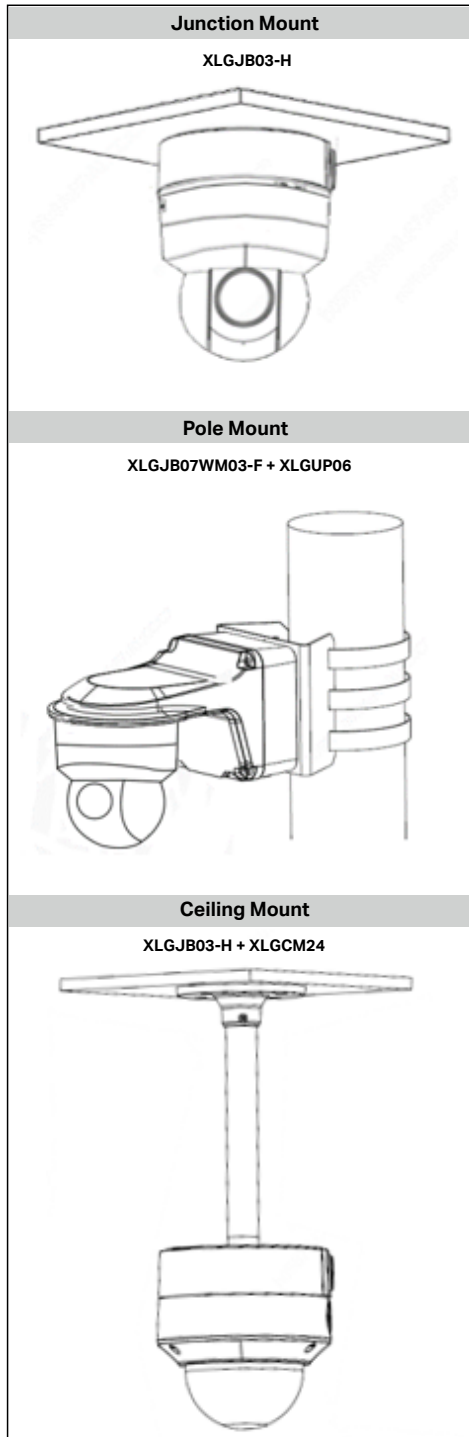
*Design and specifications are subjects to change without notice.



INLGDI2IRWPTZ5X

Product Specifications

2.1MP Interior 5x PTZ IP Camera



*Design and specifications are subjects to change without notice.



INLGDI2IRWPTZ5X

Product Specifications

2.1MP Interior 5x PTZ IP Camera



XLGWM03-B
Wall Mount



XLGJB03-H
Junction Box



XLGUP06
Pole Mount



XLGA01-IN
Waterproof Joint



XLGJB07WM03-F
Wall Mount



XLGSE24
Pendant Mount



XLGSE24-A
Pendant Mount



XLGCM24
Ceiling Mount



VUSD256G
Micro SD Card

*Design and specifications are subjects to change without notice.

