

INLGDO2IRWF

2.1 MP Vandal Proof Fixed Dome Network Camera w/IR, SD Slot

- High quality image with 2MP, 1/2.8" CMOS sensor
- True WDR (120 dB) to offer you the best image in the most demanding lighting conditions
- H.265+ & H.264 encoding
- AI Features: People Flow Counting and Crowd Density Monitoring
- Smart IR, Up to 30 m (98ft) IR distance
- Supports Micro SD Card, up to 256GB

Unify your Security Solution

You asked, we listened. Tailored especially for you, Legend is our **fully NDA compliant brand**. It offers our latest technologies in a robust build with edge storage capacity. Legend by Inaxsys provides H.265+ compression and easy installation.

Smart H.265+ & H.264

LEGEND smart encoding technology provides high-quality video with higher efficiency and also reduces the cost of storage space and transmission bandwidth by adopting an advanced algorithm of auto stream control.

Wide Dynamic Range

This camera offers vivid imaging in any scenario. Using industry-leading WDR technology, you'll be able to capture the subject in the most difficult lighting conditions.



**NDA
Compliant**



*Design and specifications are subjects to change without notice.



INLGDO2IRWF

2.1 MP Vandal Proof Fixed Dome Network Camera w/IR, SD Slot

Product Specifications

Camera					
Image Sensor	1/2.8", 2 Megapixel, progressive scan, CMOS				
Scanning System	Progressive				
Electronic Shutter Speed	Auto/Manual, 1~1/100,000 s				
Minimum Illumination	Color: 0.003 Lux (F2.0, AGC ON); 0 Lux with IR				
S/N Ratio	More than 52dB				
IR Distance	Distance up to 30m (98ft)				
Camera Features					
Day/Night	IR-cut filter with auto switch (ICR)				
Smart IR	Support				
White Balance	Auto/Outdoor/Fine Tune/Sodium Lamp/Locked				
Backlight Compensation	Supported				
Noise Reduction	2D/3D DNR				
Features	HLC; BLC; WDR 120dB				
Flip	Normal/Vertical/Horizontal/180°/90°Clockwise/90°Anti-clockwise				
Privacy Masking	Up to 4 areas				
OSD	Up to 8 OSDs				
Region of Interest	Up to 8 areas				
Defog	Digital Defog				
Lens					
Lens Type	Fixed Lens				
Focal Length	2.8mm				
Max. Aperture	N/A				
Viewing Angle	H: 112.7°; V: 60.1°; O: 146.5°				
Iris Type	N/A				
Pan/Tilt/Rotate	Pan: 0° ~ 360°; Tilt: 0 ~ 75°; Rotate: 0 ~ 360°				
DORI Distance	Lens (mm)	Detect (m)	Observe (m)	Recognize (m)	Identify (m)
	2.8	42	16.8	8.4	4.2
Video					
Compression	H.265+, H.265, H.264, MJPEG				
H.264 code profile	Baseline Profile, Main Profile				
Video Bit Rate	128 Kbps~16 Mbps				
Frame Rate	Main Stream: 2MP (1920*1080), Max 30fps; 720P (1280*720), Max 30fps; Sub Stream: 720P (1280*720), Max 30fps; D1 (720*576), Max 30fps; 640*360, Max 30fps; Third Stream: D1 (720*576), Max 30fps; 640*360,Max 30fps; 2CIF(704*288), Max 30fps;CIF(352*288), Max 30fps;				
Storage					
Edge Storage	Micro SD, up to 256GB				
Network Storage	ANR, NAS(NFS)				

*Design and specifications are subjects to change without notice.



INLGDO2IRWF

2.1 MP Vandal Proof Fixed Dome Network Camera w/IR, SD Slot

Product Specifications

Network	
Ethernet	1 RJ45 10M/100M Base-TX Ethernet
Protocol	IPv4, IPv6, IGMP, ICMP, ARP, TCP, UDP, DHCP, PPPoE, RTP, RTSP, RTCP, DNS, DDNS, NTP, FTP, UPnP, HTTP, HTTPS, SMTP, 802.1x, SNMP, QoS, RTMP,SSL/TLS, SSH
Compatibility	ONVIF (Profile S, Profile G, Profile T), API,SDK
Management Software	LEGEND VMS / ARKIV
Web Browser	Live view with plug-in required: Firefox 52 and below, Chrome 41 and below, IE9+
	Live view without plug-in: Firefox 58.0+, Chrome 57.0+, Edge 16+, Safari 11+
Audio	
Audio Compression	G.711
Two-way audio	Supported
Suppression	Supported
Sampling Rate	8KHZ
Smart Features	
Intrusion	Supports false alarm filtering, Line crossing detection, Intrusion detection, Entering/Leaving Area Detection
Statistical Analysis	Supports people flow counting, Crowd density monitoring
Detection	Motion detection, Tampering alarm, Audio detection
General Function	Watermark, IP address filtering, Tampering alarm, Alarm input, Alarm output, Access Policy, ARP protection, RTSP authentication, User Authentication
Interfase	
Audio In/Out	Input: impedance 35kΩ; amplitude 2V [p-p]
	Output: impedance 600Ω; amplitude 2V [p-p]
Alarm In/Out	1/1
Certifications	
EMC	CE-EMC (EN 55032: 2015+A1:2020,EN 61000-3-3: 2013+A1: 2019,EN IEC 61000-3-2: 2019+A1: 2021,EN 55035: 2017+A11:2020) FCC (FCC CFR 47 part15 B, ANSI C63.4-2014)
Safety	CE LVD (EN 62368-1:2014+A11:2017) CB (IEC 62368-1:2014) UL (UL 62368-1, 2nd Ed., Issue Date: 2014-12-01)
Environment	CE-RoHS (2011/65/EU;(EU)2015/863); WEEE (2012/19/EU); Reach (Regulation (EC) No 1907/2006)
General	
Power Supply	DC 12V±25%, PoE (IEEE 802.3af)
Power Consumption	Less than 5.5W
Working Environment	-35°C to 60°C (-31°F to 140°F) / Less than 95% RH
Material	Metal + Plastic
Vandal & Ingress & Surge Protection	IK10; IP67; 2KV
Weight	0.99 lb (0.45kg)
Dimensions	Φ108.5 x 81mm (Ø4.28" x 3.2")

*Design and specifications are subjects to change without notice.



INLGDO2IRWF

2.1 MP Vandal Proof Fixed Dome
Network Camera w/IR, SD Slot

Product Specifications



XLGUP06
Pole Mount



XLGUM06
Incline Mount



XLGJB03-G
Junction Box



XLGA01
Waterproof Joint



XLGWM03-D
Wall Mount



XLGJB07WM03-G
Wall Mount



XLGSE24
Pendant Mount



VUSD256G
Micro SD Card



XLGSE24-A
Pendant Mount



XLGCM24
Ceiling Mount

*Design and specifications are subjects to change without notice.



INLGDO2IRWF

2.1 MP Vandal Proof Fixed Dome Network Camera w/IR, SD Slot

Product Specifications

Junction Mount

XLGJB03-G



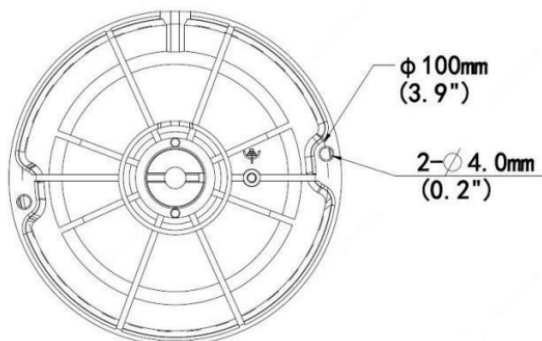
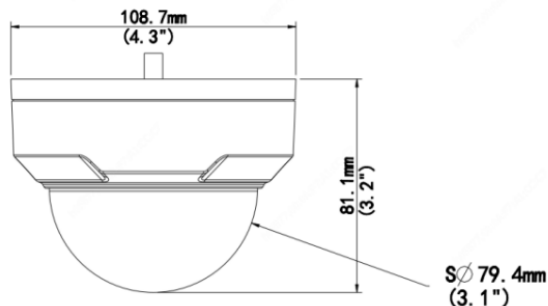
Wall Mount

XLGJB07WM03-G



Ceiling Mount

XLGCM24 + XLGJB03-G



*Design and specifications are subjects to change without notice.

