

INLGDO4IRA

4.1 MP Vandal Proof Motorized Lens Dome Network Camera w/IR, SD Slot

- Incredible 4MP Auto Focus Lens; ready-to-operate!
- H.265+ & H.264 encoding
- Smart IR, Up to 30 m (98ft) IR distance
- Increased infrared transmittance IR anti-reflection window
- Supports Micro SD Card, up to 256GB



NDAA
Compliant

Unify your Security Solution

You asked, we listened. Tailored especially for you, Legend is our **fully NDAA compliant brand**. It offers our latest technologies in a robust build with edge storage capacity. Legend by Inaxsys provides H.265+ compression and easy installation.

Smart H.265+ & H.264+

LEGEND smart encoding technology provides high-quality video with higher efficiency and also reduces the cost of storage space and transmission bandwidth by adopting an advanced algorithm of auto stream control.

On-board Analytics

This camera responds accurately to specific events in a given area. Our algorithm enables Human detection, intrusion detection, motion detection and much more. Facilitate your viewing experience using on the edge analytics – one product, multiple features.



*Design and specifications are subjects to change without notice.



INLGDO4IRA

4.1 MP Vandal Proof Motorized Lens Dome Network Camera w/IR, SD Slot

Product Specifications

Camera					
Image Sensor	1/3", 4 Megapixel, progressive scan, CMOS				
Scanning System	Progressive				
Electronic Shutter Speed	Auto/Manual, 1~1/100,000 s				
Minimum Illumination	Color: 0.003 Lux (F1.6, AGC ON); 0 Lux with IR				
IR Distance	Distance up to 40m (131ft)				
Camera Features					
Day/Night	IR-cut filter with auto switch (ICR)				
Smart IR	Support				
White Balance	Auto/Outdoor/Fine Tune/Sodium Lamp/Locked				
Backlight Compensation	Supported				
Noise Reduction	2D/3D DNR				
Features	HLC; BLC; WDR 120dB				
Flip	Normal/Vertical/Horizontal/180°/90°Clockwise/90°Anti-clockwise				
Privacy Masking	Up to 4 areas				
OSD	Up to 4 OSDs				
Region of Interest	Up to 8 areas				
S/N Ratio	More than 56dB				
Defog	Digital Defog				
Lens					
Lens Type	Motorized zoom lens				
Focal Length	2.8 ~ 12mm				
Max. Aperture	N/A				
Viewing Angle	H: 102.79° ~ 30.86°; V: 54.5° ~ 17.49°; O: 106.94° ~ 35.49°				
Iris Type	N/A				
Pan/Tilt/Rotate	Pan: 3° ~ 360°; Tilt: 0 ~ 70°; Rotate: 0 ~ 360°				
DORI Distance	Lens (mm)	Detect (m)	Observe (m)	Recognize (m)	Identify (m)
	2.8	42	16.8	8.4	4.2
	12	180	72	36	18
Video					
Compression	H.265+, H.265, H.264, MJPEG				
H.264 code profile	Baseline Profile, Main Profile				
Video Bit Rate	128 Kbps~16 Mbps				
Frame Rate	Main Stream: 4MP (2688*1520), Max 25fps; 4MP (2560*1440), Max 25fps; 3MP (2304*1296), Max 30fps; 1080P(1920*1080), Max 30fps; Sub Stream: 720P (1280*720), Max 30fps; D1 (720*576), Max 30fps;				
Smart Features					
Detection	Line Crossing detection, Intrusion detection, Audio detection				
Network Storage	Watermark, IP Address filtering, Access Policy, ARP Protection, RTSP Auth				

*Design and specifications are subjects to change without notice.



INLGDO4IRA

4.1 MP Vandal Proof Motorized Lens Dome Network Camera w/IR, SD Slot

Product Specifications

Audio	
Audio Compression	G.711U, G.711A
Audio Bitrate	64 Kbps
Built-in Microphone	Supported
Sampling Rate	8KHZ
Network	
Ethernet	1 RJ45 10M/100M Base-TX Ethernet
Protocol	IPv4, IGMP, ICMP, ARP, TCP, UDP, DHCP, RTP, RTSP, RTCP, DNS, DDNS, NTP, FTP, UPnP, HTTP, HTTPS, SMTP, SSL, QoS
Compatibility	ONVIF (Profile S, Profile G, Profile T), API
Management Software	LEGEND VMS / ARKIV
Edge Storage/Network Storage	Micro SD, up to 256GB
	ANR, NAS(NFS)
Certifications	
Certifications	CE-EMC (EN 55032: 2015+A1:2020,EN 61000-3-3: 2013+A1: 2019,EN IEC 61000-3-2: 2019+A1: 2021,EN 55035:A11:2020); UL: UL 62368-1, 2nd Ed., Issue Date: 2014-12-01; FCC: FCC CFR 47 part15 B, ANSI C63.4-2014
General	
Power Supply	DC 12V±25%, PoE (IEEE 802.3af) Less than 7W
Working Environment	-30°C to 60°C (-22°F to 140°F) / Less than 95% RH
Material	Metal + Plastic
Vandal & Ingress & Surge Protection	IK10; IP67; 6KV
Weight	1.43 lb (0.65kg)
Dimensions	Φ128 x 100mm (Ø5.0" x 3.9")

*Design and specifications are subjects to change without notice.



INLGDO4IRA

4.1 MP Vandal Proof Motorized Lens Dome
Network Camera w/IR, SD Slot

Product Specifications



XLGJB03-H
Junction Box



XLGJB07WM03-F
Wall Mount Combo



XLGWM03-B
Wall Mount



XLGA01
Waterproof Joint



XLGUP06
Pole Mount



XLGCM24
Ceiling Mount



XLGSE24
Pendant Mount



XLGSE24-A
Pendant Mount



VUSD256G
Micro SD Card

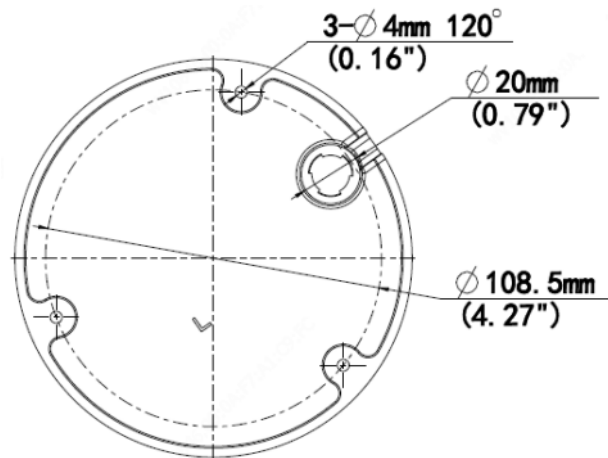
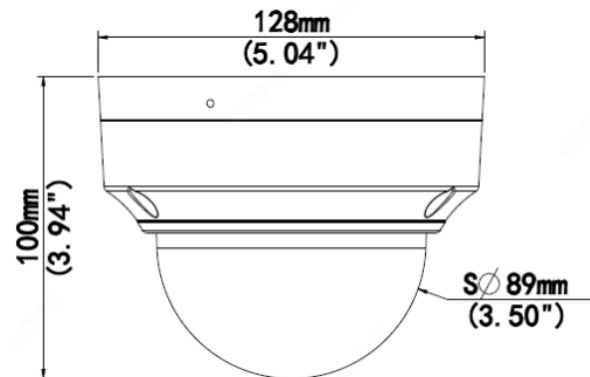
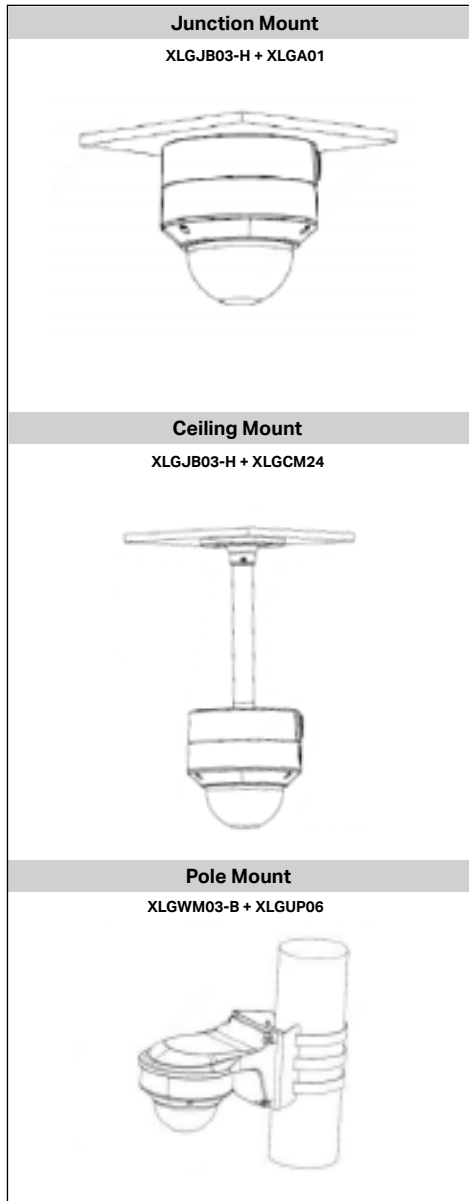
*Design and specifications are subjects to change without notice.



INLGDO4IRA

4.1 MP Vandal Proof Motorized Lens Dome Network Camera w/IR, SD Slot

Product Specifications



*Design and specifications are subjects to change without notice.

