

INLGDO4IRWF

4 MP Vandal Proof Fixed Dome Network Camera w/IR, SD Slot

- High quality image with 4MP, 1/3" CMOS sensor
- H.265+ & H.264 encoding
- Smart IR, Up to 30 m (98ft) IR distance
- Resolution: 4MP (2560x1440) at 25/20fps
- Supports Micro SD Card, up to 128GB



NDAA
Compliant

Unify your Security Solution

You asked, we listened. Tailored especially for you, Legend is our **fully NDAA compliant brand**. It offers our latest technologies in a robust build with edge storage capacity. Legend by Inaxsys provides H.265+ compression and easy installation.

Smart H.265+ & H.264

LEGEND smart encoding technology provides high-quality video with higher efficiency and also reduces the cost of storage space and transmission bandwidth by adopting an advanced algorithm of auto stream control.

On-board Smart Features

This camera responds accurately to specific events in a given area. Our algorithm enables Line Crossing, intrusion(based on human body detection); Motion detection, and tampering alarm. Facilitate your viewing experience using on the edge analytics – one product, multiple features.



*Design and specifications are subjects to change without notice.



INLGDO4IRWF

4 MP Vandal Proof Fixed Dome
Network Camera w/IR, SD Slot

Product Specifications

Camera					
Image Sensor	1/3", 4 Megapixel, progressive scan, CMOS				
Scanning System	Progressive				
Electronic Shutter Speed	Auto/Manual, 1~1/100,000 s				
Minimum Illumination	Color: 0.01 Lux (F2.0, AGC On); 0 Lux with IR on				
S/N Ratio	More than 56dB				
IR Distance	Distance up to 30m (98ft)				
Wavelength	850nm				
IR On/Off Control	Auto/Manual				
Camera Features					
Day/Night	IR-cut filter with auto switch (ICR)				
Backlight Compensation	Supported				
White Balance	N/A				
Noise Reduction	2D/3D DNR				
Features	HLC; BLC; DWDR				
Privacy Masking	Up to 4 areas				
OSD	Up to 4 OSDs				
Region of Interest	Up to 8 areas				
Lens					
Lens Type	Fixed Lens				
Focal Length	2.8mm				
Max. Aperture	N/A				
Viewing Angle	H: 97.0°; V: 52.2°; O: 107.5°				
Iris Type	N/A				
Pan/Tilt/Rotate	Pan: 8° ~ 360°; Tilt: 0 ~ 68°; Rotate: 10° ~ 360°				
DORI Distance	Lens (mm)	Detect (m)	Observe (m)	Recognize (m)	Identify (m)
	2.8	63.0	25.2	12.6	6.3
Video					
Compression	H.265+, H.265, H.264, MJPEG				
H.264 code profile	Baseline Profile, Main Profile, High Profile				
Frame Rate	Main Stream: 4MP (2560x1440), Max 25fps; 3MP (2304x1296), Max 30fps; 1080P (1920x1080), Max 30fps; 720P (1280x720), Max 30fps Sub Stream: D1 (720x576), Max 30fps; 640x360, Max 30fps; 2CIF(704x288), Max 30fps; CIF(352x288), Max 30fps;				
Video Bit Rate	128 Kbps~6144 kbps				
Storage					
Edge Storage	Micro SD card, up to 128GB				
Network Storage	ANR, NAS(NFS)				

*Design and specifications are subjects to change without notice.



INLGDO4IRWF

4 MP Vandal Proof Fixed Dome Network Camera w/IR, SD Slot

Product Specifications

Network	
Ethernet	1 RJ45 10M/100M Base-TX Ethernet
Protocol	IPv4, IGMP, ICMP, ARP, TCP, UDP, DHCP, RTP, RTSP, RTCP, RTMP, DNS, DDNS, NTP, FTP, UPnP, HTTP, HTTPS, SMTP, QoS, SSL/TLS, SNMP
Compatibility	ONVIF (Profile S, Profile G, Profile T), API, SDK
User/Host	Up to 32 users. 2 user levels: administrator and common user
Security	Password protection, Strong password, HTTPS encryption, Export operation logs, Basic and digest authentication for RTSP, Digest authentication for HTTP, TLS 1.2, WSSE and digest authentication for ONVIF
Client	LEGEND VMS, Arkiv, 3rd Party
Web Browser	Plug-in required live view: IE 10 and above, Chrome 45 and above, Firefox 52 and above, Edge 79 and above
	Plug-in free live view: Chrome 57.0 and above, Firefox 58.0 and above, Edge 16 and above
Events	
Behavior Detection	Cross line, intrusion(based on human body detection); Motion detection, tampering alarm
General Function	Watermark, IP address filtering, access policy, ARP protection, RTSP authentication, user authentication
Audio	
Audio Compression	G.711
Two-way audio	Supported
Suppression	Supported
Sampling Rate	8KHz
General	
Power Supply	DC 12V±25%, PoE (IEEE 802.3af)
Power Consumption	Less than 4W
Working Environment	-30°C to 60°C (-31°F to 140°F) / Less than 95% RH
Protection	IP67; IK10
Weight	0.36kg (0.79lb)
Dimensions	Φ109 x 81mm (Ø4.3" x 3.2")

*Design and specifications are subjects to change without notice.



INLGDO4IRWF

4 MP Vandal Proof Fixed Dome
Network Camera w/IR, SD Slot

Product Specifications



XLGUP06
Pole Mount



XLGJB03-G
Junction Box



XLGA01
Waterproof Joint



XLGCM24
Ceiling Mount



XLGWM03-D
Wall Mount



XLGJB07WM03-G
Wall Mount



XLGSE24-A
Pendant Mount



XLGSE24
Pendant Mount



VUSD256G
Micro SD Card



XLGUM06
Incline Mount

*Design and specifications are subjects to change without notice.



INLGDO4IRWF

4 MP Vandal Proof Fixed Dome
Network Camera w/IR, SD Slot

Product Specifications

Junction Mount

XLGJB03-G



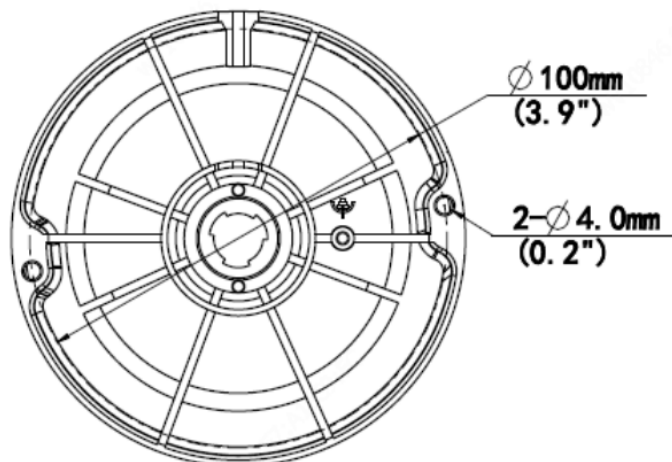
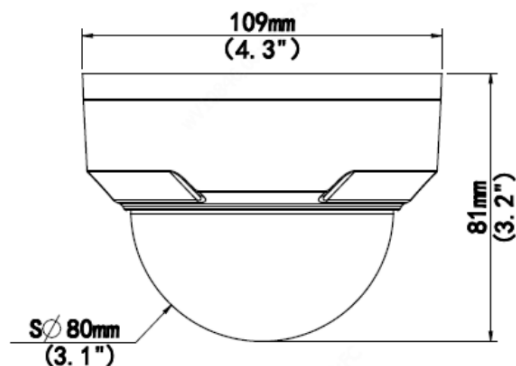
Pole Mount

XLGJB07WM03-G



Ceiling Mount

XLGCM24 + XLGJB03-G



*Design and specifications are subjects to change without notice.

