

# INLGDO4IRWF

## 4 MP Vandal Proof Fixed Dome Network Camera w/IR, SD Slot

- High quality image with 4MP, 1/3" CMOS sensor
- True WDR (120 dB) to offer you the best image in the most demanding lighting conditions
- H.265+ & H.264 encoding
- Smart IR, Up to 30 m (98ft) IR distance
- Supports Micro SD Card, up to 256GB



**NDAA**  
Compliant

### Unify your Security Solution

You asked, we listened. Tailored especially for you, Legend is our **fully NDAA compliant brand**. It offers our latest technologies in a robust build with edge storage capacity. Legend by Inaxsys provides H.265+ compression and easy installation.

### Smart H.265+ & H.264

LEGEND smart encoding technology provides high-quality video with higher efficiency and also reduces the cost of storage space and transmission bandwidth by adopting an advanced algorithm of auto stream control.

### Wide Dynamic Range

This camera offers vivid imaging in any scenario. Using industry-leading WDR technology, you'll be able to capture the subject in the most difficult lighting conditions.



\*Design and specifications are subjects to change without notice.



# INLGDO4IRWF

4 MP Vandal Proof Fixed Dome  
Network Camera w/IR, SD Slot

## Product Specifications

Camera					
Image Sensor	1/3", 4 Megapixel, progressive scan, CMOS				
Scanning System	Progressive				
Electronic Shutter Speed	Auto/Manual, 1~1/100,000 s				
Minimum Illumination	Color: 0.01 Lux (F2.0, AGC On); 0 Lux with IR on				
S/N Ratio	More than 56dB				
IR Distance	Distance up to 30m (98ft)				
Camera Features					
Day/Night	IR-cut filter with auto switch (ICR)				
Backlight Compensation	Supported				
White Balance	N/A				
Noise Reduction	2D/3D DNR				
Features	HLC; BLC; WDR 120dB				
Privacy Masking	Up to 4 areas				
OSD	Up to 4 OSDs				
Region of Interest	Up to 2 areas				
Motion Detection	Up to 4 areas				
Lens					
Lens Type	Fixed Lens				
Focal Length	2.8mm				
Max. Aperture	N/A				
Viewing Angle	H: 107.8°; V: 57°; O: 140.1°				
Iris Type	N/A				
Pan/Tilt/Rotate	Pan: 3° ~ 360°; Tilt: 0 ~ 68°; Rotate: 3 ~ 360°				
DORI Distance	Lens (mm)	Detect (m)	Observe (m)	Recognize (m)	Identify (m)
	2.8	63.0	25.2	12.6	6.3
Video					
Compression	H.265+, H.265, H.264, MJPEG				
H.264 code profile	Baseline Profile, Main Profile				
Frame Rate	Main Stream: 4MP (2592x1520), Max 30fps; 4MP (2560x1440), Max 30fps; 3MP (2304x1296), Max 30fps; 1080P (1920x1080), Max30fps Sub Stream: 4CIF (704x576), Max 30fps; Third Stream: CIF (352x288), Max 30fps				
Storage					
Edge Storage	Micro SD card, up to 256GB				

\*Design and specifications are subjects to change without notice.



# INLGDO4IRWF

## 4 MP Vandal Proof Fixed Dome Network Camera w/IR, SD Slot

## Product Specifications

Network	
Ethernet	1 RJ45 10M/100M Base-TX Ethernet
Protocol	IPv4, IGMP, ICMP, ARP, TCP, UDP, DHCP, RTP, RTSP, RTCP, DNS, DDNS, NTP, FTP, UPnP, HTTP, HTTPS, SMTP, SSL
Compatibility	ONVIF (Profile S, Profile G, Profile T), API
Interface	
Audio In/Out	Input: impedance 35k $\Omega$ ; amplitude 2V [p-p] Output: impedance 600 $\Omega$ ; amplitude 2V [p-p]
Alarm In/Out	1/1
Audio	
Audio Compression	G.711
Two-way audio	Supported
Suppression	Supported
Sampling Rate	8KHz
General	
Power Supply	DC 12V $\pm$ 25%, PoE (IEEE 802.3af)
Power Consumption	Less than 5.5W
Working Environment	-30°C to 60°C (-31°F to 140°F) / Less than 95% RH
Protection	IP67; IK10
Weight	0.45kg
Dimensions	$\Phi$ 108.7 x 81.1mm ( $\Phi$ 4.3" x 3.2")

\*Design and specifications are subjects to change without notice.



# INLGDO4IRWF

4 MP Vandal Proof Fixed Dome  
Network Camera w/IR, SD Slot

## Product Specifications



**XLGUP06**  
Pole Mount



**XLGJB03-G**  
Junction Box



**XLGA01**  
Waterproof Joint



**XLGCM24**  
Ceiling Mount



**XLGWM03-D**  
Wall Mount



**XLGJB07WM03-G**  
Wall Mount



**XLGSE24-A**  
Pendant Mount



**XLGSE24**  
Pendant Mount



**VUSD256G**  
Micro SD Card



**XLGUM06**  
Incline Mount

\*Design and specifications are subjects to change without notice.



# INLGDO4IRWF

4 MP Vandal Proof Fixed Dome  
Network Camera w/IR, SD Slot

## Product Specifications

### Junction Mount

XLGJB03-G



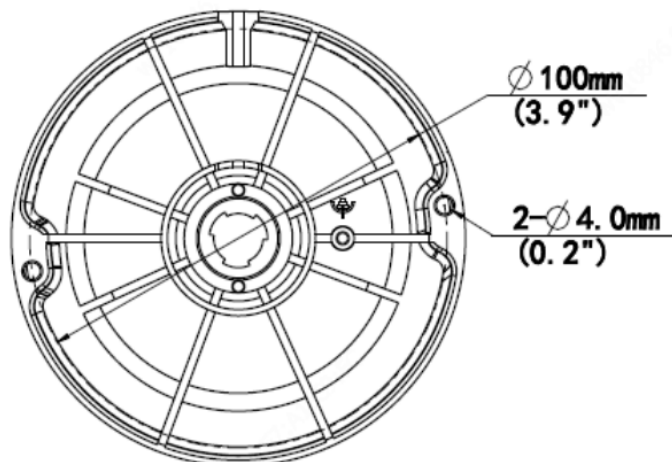
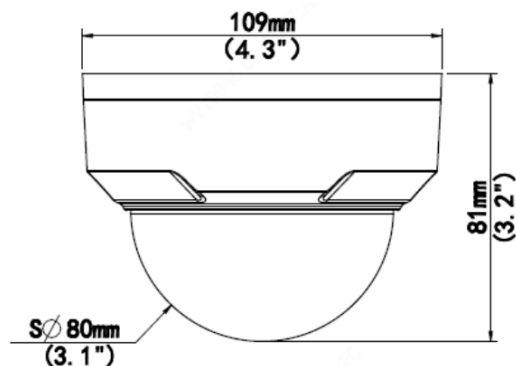
### Wall Mount

XLGJB07WM03-G



### Ceiling Mount

XLGCM24 + XLGJB03-G



\*Design and specifications are subjects to change without notice.

