

INLGDO4PTZ33X

4MP Network 33x PTZ Camera

- High quality image with 4MP, 1/2.8" CMOS sensor
- Ultra-high image quality in low light environments
- H.265+ & H.264+ encoding
- Smart IR, up to 150m (492 ft) IR distance
- Face capture, automatic selection of best snapshots
- Alarm: 2 in/1 out, Audio: 1 in/1 out
- Smart intrusion prevention, supports false alarm filtering, includes line crossing, Intrusion, Enter/Leave Area detection

Unify your Security Solution

You asked, we listened. Tailored especially for you, Legend is our **fully NDAA compliant brand**. It offers our latest technologies in a robust build with edge storage capacity. Legend by Inaxsys provides H.265+ compression and easy installation.

Smart H.265+ & H.264+

LEGEND smart encoding technology provides high-quality video with higher efficiency and also reduces the cost of storage space and transmission bandwidth by adopting an advanced algorithm of auto stream control.

On-board Analytics

This camera responds accurately to specific events in a given area. Our algorithm enables Human Detection, intrusion detection, Tampering Alarm and much more. Facilitate your viewing experience using on the edge analytics – one product, multiple features.

*Design and specifications are subjects to change without notice.



NDAA
Compliant



INLGDO4PTZ33X

Product Specifications

4MP Network 33x PTZ Camera

Camera					
Image Sensor	1/2.8"; 4 megapixel, progressive scan, CMOS				
Scanning System	Progressive				
Electronic Shutter Speed	Auto/Manual, 1 ~ 1/100,000s				
Minimum Illumination	Colour: 0.003 Lux (F1.5, AGC ON); 0 Lux with IR				
S/N Ratio	More than 52 dB				
IR Distance	Up to 150m (492 ft) IR range				
IR On/Off Control	Auto/Manual				
Camera Features					
Day/Night	IR-cut filter with auto switch (ICR)				
Blacklight Compensation	BLC / HLC / WDR(120dB)				
White Balance	Auto / Outdoor / Fine Tune / Sodium Lamp / Locked				
OSD	Up to 8 OSDs				
Noise Reduction	2D/3D DNR				
Digital Zoom	16x				
Privacy Masking	Up to 24 areas				
Region of Interest	Supported				
Defog	Digital Defog				
Flip	Normal/Flip Vertical/Flip Horizontal/180°/90°Clockwise/90°Anti-clockwise				
Lens					
Focal Length	4.5 ~ 148.5mm, AF automatic focusing and motorized zoom lens				
Max. Aperture	F1.5 – F4.0				
Viewing Angle	H: 51.4° ~ 2.5°; V: 30.3° ~ 1.4°; D: 63.2° ~ 3.0°				
Optical Zoom	33x				
Wavelength	850nm				
Pan/Tilt/Rotation	Pan: 0° ~ 360° endless; Tilt: -15° ~ 90°				
DORI Distance	Lens	Detect	Observe	Recognize	Identify
	W	105.8(346.9ft)	42.3(138.8ft)	21.2(69.4ft)	10.6(34.7ft)
	T	3172.5(10408.5ft)	1269.0(4163.4ft)	634.5(2081.7ft)	317.3(1040.8ft)
Video					
Compression	H.265+ / H.265 / H.264+ / H.264 / MJPEG				
Resolution / Frame Rate	Main Stream: 4MP(2688x1520),Max 30fps; Sub Stream: 2MP (1920x1080), Max 30fps; Third Stream: D1 (720x576), Max 30fps;				
Video Bit Rate	128 Kbps ~ 16 Mbps				
U-code	Support				
Audio					
Audio Compression	G.711A / G.711U				
Two-way Audio	Supported				
Audio Bitrate	64 Kbps				
Suppression	Supported				
Sampling Rate	8KHZ				

*Design and specifications are subjects to change without notice.



INLGDO4PTZ33X

Product Specifications

4MP Network 33x PTZ Camera

Intelligent Functions	
Behavior Detection	Supports false alarm filtering Line crossing detection, Intrusion detection, Region entrance detection, Region exit detection, Face capture, Motion detection;
Recognition	Audio Detection
General Functions	Watermark, IP Address Filtering, Tampering Alarm, Alarm input, Alarm output, Access Policy, ARP Protection, RTSP Authentication, User Authentication
PTZ	
Pan Range	360° (endless)
Pan Speed	0.1°/s ~ 200°/s
	Preset speed: 300°/s
Tilt Range	-15° ~ 90° (auto reverse)
Tilt Speed	0.1°/s ~ 200°/s
	Preset speed: 240°/s
Number of Presets	1024
Preset Patrol	16 patrols, up to 64 presets for each patrol
Route Patrol	16 patrols, up to 32 actions for each patrol
Recorded Patrol	16 patrols, up to 128 actions for each patrol
Patrol Stay Time	15s~1800s
Preset Image Freeze	Supported
Home Position	Supported
Network	
Network	RJ45 10M/100M Base-TX Ethernet
Protocol	IPv4, IGMP, ICMP, ARP, TCP, UDP, DHCP, PPPoE, RTP, RTSP, RTCP, DNS, DDNS, NTP, FTP, UPnP, HTTP, HTTPS, SMTP, 802.1x, SNMP, QoS, RTMP, SSL/TLS
Compatibility	ONVIF (Profile S, Profile G, Profile T), API, SDK
User/Host	Up to 32 users. 3 user levels: administrator, operator and common user
Security	Password protection, strong password, HTTPS encryption, Export operation logs, basic and digest authentication for RTSP, digest authentication for HTTP, TLS 1.2, WSSE and digest authentication for ONVIF
Video Software Management	Legend VMS, Arkiv
Storage	ANR; NAS; Micro SD card up to 256GB
Smart Phone	iOS, Android
Interface	
Video	1 BNC, impedance 75Ω; amplitude 1V [p-p]
RS485	1
Audio In/Out	1 Input: impedance 35kΩ; amplitude 2V [p-p] / 1 output: impedance 600Ω; amplitude 2V [p-p]
Alarm In/Out	2/1
General	
Power Supply	AC 24V±25%, DC 24V±25%, PoE (IEEE802.3 at)
Power Consumption	Less than 48W
Working Environment	-40°C to 65°C (-40°F ~ +158°F); Less than 95% RH
Ingress Protection	IP66
Weight	11.68 lbs (5.3kg)
Dimensions	Ø 227 x 359.4mm (Ø 8.9" x 14.2")

*Design and specifications are subjects to change without notice.



INLGDO4PTZ33X

4MP Network 33x PTZ Camera

Product Specifications



XLGJB12
Junction Box



XLGWE45A
Wall Mount



XLGUC08
Corner Mount



XLGSE45
Pendant Mount



XLGSE45-A
Pendant Mount



XLGUF45
Pendant Mount



XLGCE45
3-inch
Pendant PTZ Mount



VUSD256G
Micro SD Card



XLGWE45-B
PTZ Parapet Mount



XLGUP08
Pole Mount



XLGUP08-B
Pole Mount



XLGUC08-B
Corner Mount

*Design and specifications are subjects to change without notice.



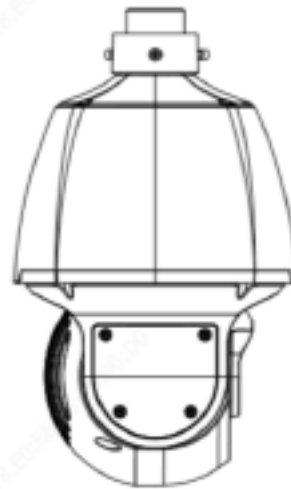
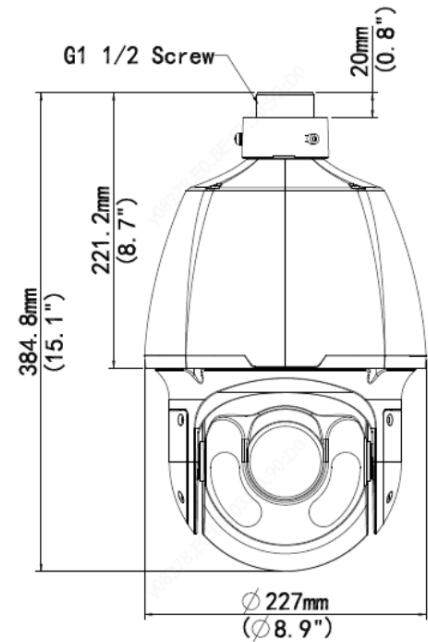
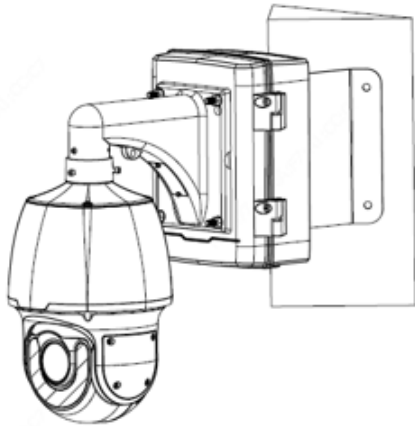
INLGDO4PTZ33X

4MP Network 33x PTZ Camera

Product Specifications

Corner Mount

XLGJB12 + XLWE45A + XLGUC08



*Design and specifications are subjects to change without notice.

