

INLGDO5ADPTZ

5 MP AI Active Deterrence Network Mini PTZ Camera

- High quality image with 5MP, 1/2.7" CMOS sensor
- Wide Dynamic Range (120 dB)
- H.265+ & H.264 encoding
- AI Features: People Flow Counting and Crowd Density Monitoring
- Smart IR, Up to 50 m (164ft) IR distance
- Built-in Microphone & Speaker

Unify your Security Solution

You asked, we listened. Tailored especially for you, Legend is our **fully NDA compliant brand**. It offers our latest technologies in a robust build with edge storage capacity. Legend by Inaxsys provides H.265+ compression and easy installation.

On-board Analytics

This camera responds accurately to specific events in a given area. Our algorithm enables Line Crossing violations, intrusion detection, and much more. Facilitate your viewing experience using on the edge analytics – one product, multiple features.

Active Deterrence Feature

This feature is typically triggered when the camera detects motion or sound within its range, and can be set to activate specific actions, such as sounding an alarm or flashing bright lights, to scare away intruders or warn people in the vicinity.



NDA Compliant



*Design and specifications are subjects to change without notice.



INLGDO5ADPTZ

5 MP AI Active Deterrence Network Mini PTZ Camera

Product Specifications

Camera					
Image Sensor	1/2.7", 5.0 megapixel, progressive scan, CMOS				
Scanning System	Progressive				
Electronic Shutter Speed	Auto/Manual, 1 ~ 1/100 000s				
Minimum Illumination	Colour: 0.003 Lux (F1.6, AGC ON); 0 Lux with IR				
S/N Ratio	More than 56dB				
IR Distance	Distance up to 50m (164ft)				
Wavelength	850nm				
IR On/Off Control	Auto/Manual				
Wide Dynamic Range	120dB				
Camera Features					
Backlight Compensation	Supported				
White Balance	Auto / Outdoor / Fine Tune / Sodium Lamp / Locked				
Noise Reduction	2D/3D DNR				
HLC	Supported				
Defog	Digital Defog				
Privacy Masking	Up to 4 areas				
OSD	Up to 8 OSDs				
Smart IR	Supported				
ROI	Supported				
Lens					
Lens Type	Motorized				
Focal Length	2.8mm to 12mm; Optical Zoom 4x				
Viewing Angle	H: 104.1° ~ 30.6°; V: 54.9° ~ 17.4°; O: 108.3° ~ 34.4°				
Pan/Tilt/Rotate	Pan: 0° ~ 360°; Tilt: 0 ~ 90°; Rotate: 0° ~ 360°				
DORI Distance	Lens (mm)	Detect	Observe	Recognize	Identify
	2.8	63m	25.2m	12.6m	6.3m
	12	270	108	54	27
Video					
Compression	H.265+ / H.265 / H.264 / MJPEG				
Frame Rate	Main Stream: 2880 x 1620, Max 30fps; 2560 x 1440, Max 30fps; 2304 x 1296, Max 30fps; 1920 x 1080, Max 30fps				
	Sub Stream: 1280 x 720, Max 30fps; 720 x 576, Max 30fps; 640 x 360, Max 30fps; 704 x 288, Max 30fps; 352 x 288, Max 30fps				
	Third Stream: 720 x 576, Max 30fps; 640 x 360, Max 30fps; 704 x 288, Max 30fps; 352 x 288, Max 30fps				
Bit Rate	128 Kbps ~ 16 Mbps				
Alarm					
Alarm Light	Supported				
Warm Light Range	Up to 10m (33ft)				
Pan & Tilt					
Pan Range	0° ~ 345°				
Pan Speed	0.1°/s ~ 50°/s; Preset speed: 50°/s				
Tilt Range	-10° ~ 110°				
Tilt Speed	0.1°/s ~ 40°/s; Preset speed: 40°/s				
Number of Presets	256				
Preset Patrol	16 patrols, up to 64 presets for each patrol				
Patrol Stay Time	120s ~ 1800s				

*Design and specifications are subjects to change without notice.



INLGDO5ADPTZ

5 MP AI Active Deterrence Network Mini PTZ Camera

Product Specifications

Network	
Network	1 x RJ45 10M/100M Base-TX Ethernet
Protocol	IPv4, IGMP, ICMP, ARP, TCP, UDP, DHCP, PPPoE, RTP, RTSP, RTCP, DNS, DDNS, NTP, FTP, UPnP, HTTP, HTTPS, SMTP, 802.1x, SNMP, SSL
Compatibility	ONVIF (Profile S, Profile G, Profile T), API
Web Browser	Plug-in required live view: IE 10 and above, Chrome 45 and above, Firefox 52 and above, Edge 79 and above
Management Software	LEGEND VMS, Arkiv
Audio	
Audio Compression	G.711U, G.711A
Suppression	Supported
Sampling Rate	8KHZ
Two-way Audio	Supported
Built-in Microphone	Yes
Built-in Speaker	Yes
Storage	
Edge Storage	Micro SD slot, up to 256 GB
Network Storage	ANR, NAS(NFS)
Smart Features	
Smart Detection	Supports false alarm filtering, Line crossing detection, Intrusion detection, Entering/Leaving Area Detection
Statistical Analysis	People counting, Supports people flow counting, Crowd density monitoring
Basic Detection	Motion detection, Tampering alarm, Audio detection, Auto Tracking
General Function	Watermark, IP address filtering, Tampering alarm, Alarm input, Alarm output, Access Policy, ARP protection, RTSP authentication, User Authentication
Certifications	
EMC	CE-EMC (EN55032:2015, EN55024:2010+A1:2015, EN55035:2017, EN61000-3-2:2014, EN61000-3-3:2013) FCC (FCC CFR 47 part15 B, ANSI C63.4-2014)
Safety	CE LVD (EN 62368-1:2014+A11:2017) CB (IEC 62368-1:2014) UL (UL 62368-1, 2nd Ed., Issue Date: 2014-12-01)
Environment	CE-ROHS (2011/65/EU;(EU)2015/863)
General	
Power Supply	DC 12V±25%, PoE (IEEE 802.3af)
Power Consumption	Less than 18W
Working Environment	-20° C to +60° (-4°F ~ 140°F) / Less than 95% RH (non-condensing)
IP	IP66
Weight	1.92lbs (0.87kg)
Dimensions	Φ133mm*269mm (Φ5.2"x 10.6")

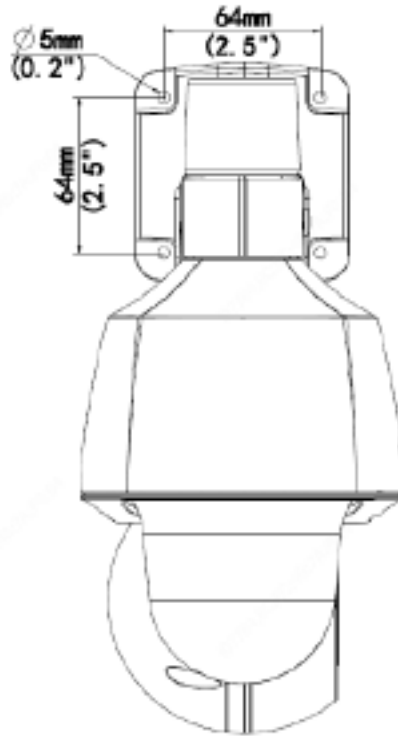
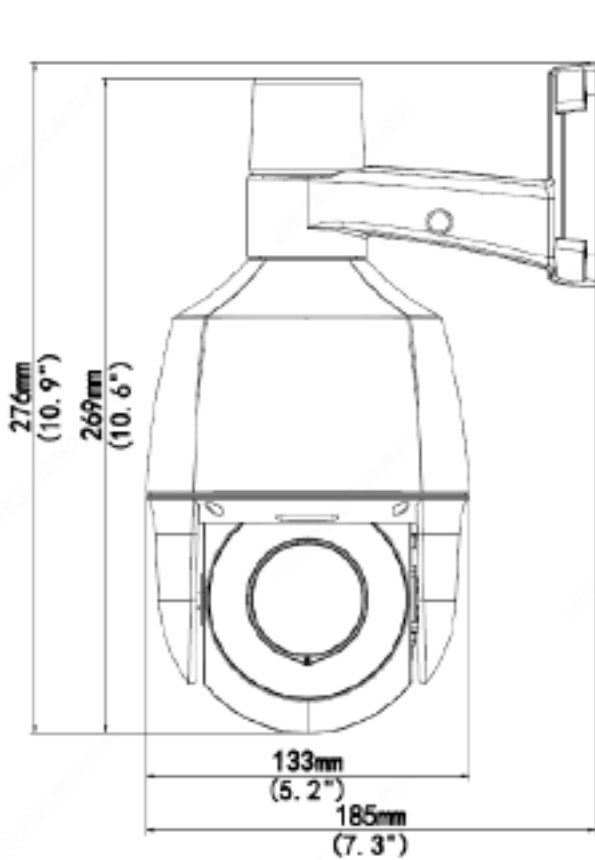
*Design and specifications are subjects to change without notice.



INLG05ADPTZ

5 MP AI Active Deterrence
Network Mini PTZ Camera

Product Specifications



XLGA01
Waterproof Joint



VUSD256G
Micro SD Card



XLGUP06-C
Pole Mount



XLGCM06-D
AD Ceiling Mount



XLGUP06-B
Pole Mount



XLGJB07-D
Junction Box

*Design and specifications are subjects to change without notice.

