

# INLGDO5IRWF

## 5 MP AI Fixed Dome Network Camera w/IR, SD Slot

- High quality image with 5MP, 1/2.7" CMOS sensor
- True WDR (120 dB) to offer you the best image in the most demanding lighting conditions
- H.265+ & H.264 encoding
- Smart IR, Up to 30 m (98ft) IR distance
- Supports Micro SD Card, up to 256GB

### Unify your Security Solution

You asked, we listened. Tailored especially for you, Legend is our **fully NDA compliant brand**. It offers our latest technologies in a robust build with edge storage capacity. Legend by Inaxsys provides H.265+ compression and easy installation.

### Smart H.265+ & H.264

LEGEND smart encoding technology provides high-quality video with higher efficiency and also reduces the cost of storage space and transmission bandwidth by adopting an advanced algorithm of auto stream control.

### Wide Dynamic Range

This camera offers vivid imaging in any scenario. Using industry-leading WDR technology, you'll be able to capture the subject in the most difficult lighting conditions.



**NDA  
Compliant**



\*Design and specifications are subjects to change without notice.



# INLGDO5IRWF

## 5 MP AI Fixed Dome Network Camera w/IR, SD Slot

## Product Specifications

Camera					
Image Sensor	1/2.7", 5 Megapixel, progressive scan, CMOS				
Scanning System	Progressive				
Electronic Shutter Speed	Auto/Manual, 1~1/100,000 s				
Minimum Illumination	Color: 0.002 Lux (F1.6, AGC On); 0 Lux with IR on				
S/N Ratio	More than 56dB				
IR Distance	Distance up to 30m (98ft)				
Camera Features					
Day/Night	IR-cut filter with auto switch (ICR)				
Backlight Compensation	Supported				
White Balance	Auto / Outdoor / Fine Tune / Sodium Lamp / Locked / Auto2				
Noise Reduction	2D/3D DNR				
Features	HLC; BLC; WDR 120dB				
Privacy Masking	Up to 4 areas				
OSD	Up to 8 OSDs				
Region of Interest	Up to 8 areas				
Lens					
Lens Type	Fixed Lens				
Focal Length	2.8mm				
Max. Aperture	F1.6				
Viewing Angle	H: 96.1°; V: 55.3°; O: 111.1°				
Pan/Tilt/Rotate	Pan: 3° ~ 360°; Tilt: 0 ~ 68°; Rotate: 3 ~ 360°				
DORI Distance	Lens (mm)	Detect (m)	Observe (m)	Recognize (m)	Identify (m)
	2.8	63.0	25.2	12.6	6.3
Video					
Compression	H.265+, H.265, H.264, MJPEG				
H.264 code profile	Baseline Profile, Main Profile				
Frame Rate	<b>Main Stream:</b> 5MP (2880x1620), Max 30fps; 4MP (2592x1520), Max 30fps; 4MP (2560x1440), Max 30fps; 3MP (2304x1296), Max 30fps; 1080P (1920x1080), Max30fps <b>Sub Stream:</b> 720P (1280x720), Max 30fps; D1 (720x576), Max 30fps; 640x360, Max 30fps; <b>Third Stream:</b> D1 (720x576), Max 30fps; 640x360, Max 30fps; 2CIF (704x288), Max 30fps; CIF (352x288), Max 30fps				
Storage					
Edge Storage	Micro SD card, up to 256GB				
Network Storage	ANR, NAS(NFS)				

\*Design and specifications are subjects to change without notice.



# INLGDO5IRWF

## 5 MP AI Fixed Dome Network Camera w/IR, SD Slot

## Product Specifications

Network	
Ethernet	1 RJ45 10M/100M Base-TX Ethernet
Protocol	IPv4, IPv6, IGMP, ICMP, ARP, TCP, UDP, DHCP, PPPoE, RTP, RTSP, RTCP, DNS, DDNS, NTP, FTP, UPnP, HTTP, HTTPS, SMTP, 802.1x, SNMP, QoS, RTMP, SSL/TLS, SSH
Compatibility	ONVIF (Profile S, Profile G, Profile T), API, SDK
Security	Password protection, Strong password, HTTPS encryption, Export operation logs, Basic and digest authentication for RTSP, Digest authentication for HTTP, TLS 1.2, WSSE and digest authentication for ONVIF
Video Management Software	LEGEND VMS, ARKIV, and more
Web Browser	Plug-in required live view: IE 10 and above, Chrome 45 and above, Firefox 52 and above, Edge 79 and above
	Plug-in free live view: Chrome 57.0 and above, Firefox 58.0 and above, Edge 16 and above
Interface	
Audio In/Out	Input: impedance 35kΩ; amplitude 2V [p-p] Output: impedance 600Ω; amplitude 2V [p-p]
Alarm In/Out	1/1
Audio	
Audio Compression	G.711
Two-way audio	Supported
Suppression	Supported
Sampling Rate	8KHz
Audio Bitrate	64 Kbps
General	
Power Supply	DC 12V±25%, PoE (IEEE 802.3af)
Power Consumption	Less than 4.5W
Power Interface	Ø 5.5mm coaxial power plug
Working Environment	-30°C to 60°C (-22°F to 140°F) / Less than 95% RH
Protection	IP67; IK10
Weight	0.93 lb (0.425kg)
Dimensions	Ø108.7 x 81.1 mm (Ø4.3" x 3.2")

\*Design and specifications are subjects to change without notice.



# INLGDO5IRWF

5 MP AI Fixed Dome Network  
Camera w/IR, SD Slot

## Product Specifications



**XLGUP06**  
Pole Mount



**XLGUM06**  
Incline Mount



**XLGJB03-G**  
Junction Box



**XLGA01**  
Waterproof Joint



**XLGWM03-D**  
Wall Mount



**XLGJB07WM03-G**  
Wall Mount



**XLGSE24**  
Pendant Mount



**VUSD256G**  
Micro SD Card



**XLGSE24-A**  
Pendant Mount



**XLGCM24**  
Ceiling Mount

\*Design and specifications are subjects to change without notice.



# INLGDO5IRWF

5 MP AI Fixed Dome Network  
Camera w/IR, SD Slot

## Product Specifications

### Junction Mount

XLGJB03-G



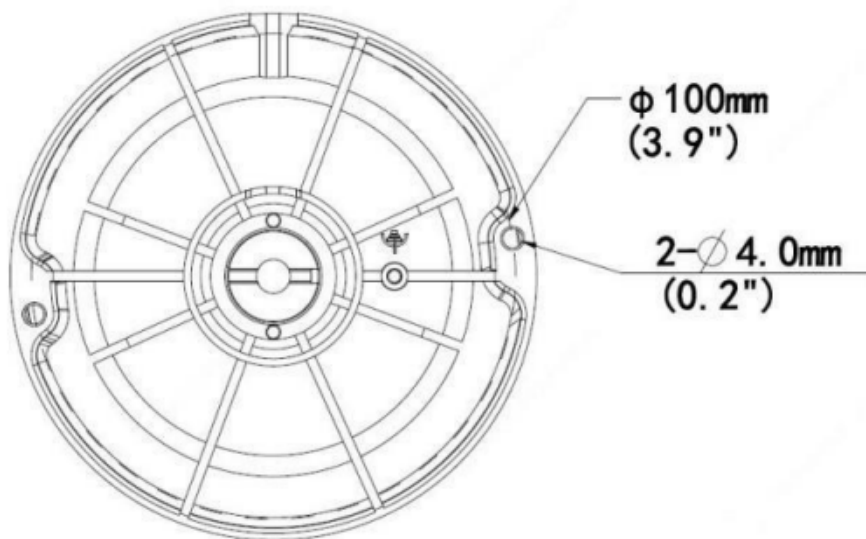
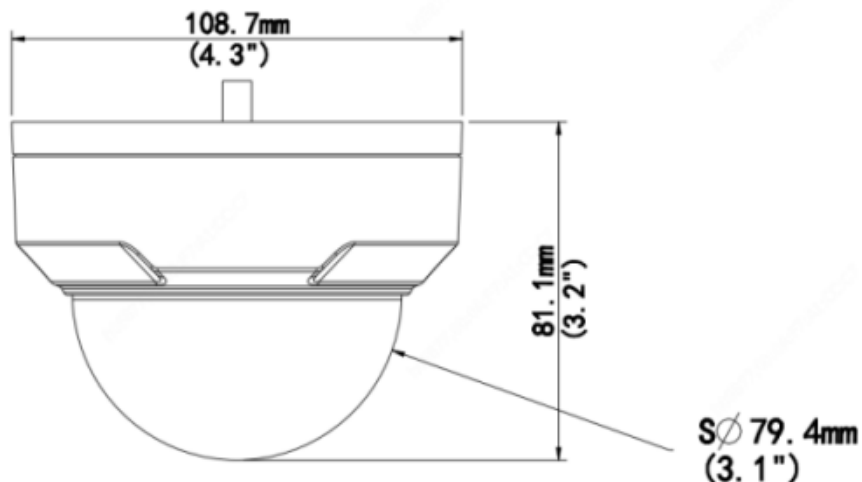
### Wall Mount

XLGJB07WM03-G



### Ceiling Mount

XLGCM24 + XLGJB03-G



\*Design and specifications are subjects to change without notice.

