

# INLGTO5IRWF

## 5 MP Vandal Proof Fixed ChromaView Turret Network Camera w/IR SD Slot

- High quality image with 5MP, 1/2.7" CMOS sensor
- ChromaView ultra-high image quality in low light environments
- H.265+ & H.264 encoding
- 120dB true WDR technology
- Supports Micro SD card up to 256GB
- Smart **LEDs**, up to 30m (98ft)
- Perimeter protection functions: cross-line detection, intrusion detection, area entrance detection, area exit detection

### Unify your Security Solution

You asked, we listened. Tailored especially for you, Legend is our **fully NDAA compliant brand**. It offers our latest technologies in a robust build with edge storage capacity. Legend by Inaxsys provides H.265+ compression and easy installation.

### Smart H.265+ & H.264+

LEGEND smart encoding technology provides high-quality video with higher efficiency and also reduces the cost of storage space and transmission bandwidth by adopting an advanced algorithm of auto stream control.

### ChromaView Technology

This technology helps you capture clear color images in practically any low light environment. Using a F1.0 aperture lens paired with our 1/1.8" high-performance sensor, ChromaView technology provides a great balance between noise reduction and blurry moving objects.



\*Design and specifications are subjects to change without notice.



# INLGT05IRWF

## 5 MP Vandal Proof Fixed ChromaView Turret Network Camera w/SD Slot

### Product Specifications

Camera					
Image Sensor	1/2.7", 5.0 megapixel, progressive scan, CMOS				
Scanning System	Progressive				
Electronic Shutter Speed	Auto/Manual, 1 ~ 1/100000s				
Minimum Illumination	Color: 0.001 Lux (F1.0, AGC ON)				
S/N Ratio	More than 56dB				
LEDs Distance	Distance up to 30M (98ft)				
LEDs Number	2				
Wide Dynamic Range	120dB				
Camera Features					
White Balance	Auto / Outdoor / Fine Tune / Sodium Lamp / Locked				
Noise Reduction	2D/3D DNR				
Features	HLC; BLC				
Privacy Masking	Up to 4 areas				
OSD	Up to 8 OSDs				
Region of Interests	Up to 8 areas				
Motion Detection	Up to 4 areas				
Lens					
Lens Type	ChromaView Fixed Lens				
Focal Length	2.8mm				
Viewing Angle	H: 102.0°; V: 53.4°; O: 121.0°				
Iris Type	N/A				
Pan/Tilt/Rotate	Pan: 3° ~ 360°; Tilt: 0 ~ 80°; Rotate: 3° ~ 360°				
DORI	Lens (mm)	Detect (m)	Observe (m)	Recognize (m)	Identify (m)
Distance	2.8	63.0	25.2	12.6	6.3
Video					
Compression	H.265+ / H.265 / H.264 / MJPEG				
H.264 code profile	Baseline profile, Main profile, High profile				
Frame Rate	Main Stream: 5MP (2880x1620), Max 25fps; 4MP (2560x1440), Max 25fps; 3MP (2304x1296), Max 25fps; 2MP (1920x1080), Max 30fps				
	Sub Stream: 720P (1280x720), Max 30fps; D1 (720x576), Max 30fps 640x360, Max 30fps; 2CIF (704x288), Max 30fps; CIF (352*288), Max 30fps				
	Third Stream: D1 (720x576), Max 30fps; 640x360, Max 30fps; 2CIF (704x288), Max 30fps; CIF (352x288), Max 30fps				
Bit Rate	128 Kbps~16 Mbps				

\*Design and specifications are subjects to change without notice.



# INLGTO5IRWF

## 5 MP Vandal Proof Fixed ChromaView Turret Network Camera w/SD Slot

## Product Specifications

U-code	Support
Video Stream	Triple streams
<b>Network</b>	
Ethernet	1 RJ45 10M/100M Base-TX Ethernet
Protocol	IPv4, IGMP, ICMP, ARP, TCP, UDP, DHCP, PPPoE, RTP, RTSP, RTCP, DNS, DDNS, NTP, FTP, UPnP, HTTP, HTTPS, SMTP, 802.1x, SNMP, QoS
Compatibility	ONVIF (Profile S, Profile T), API, SDK
Management Software	LEGEND VMS, Arkiv
<b>Audio</b>	
Audio Compression	G.711
Audio Bitrate	64 Kbps
Suppression	Supported
Sampling Rate	8KHZ
Built-in Mic	Supported
<b>Storage</b>	
Edge Storage	Micro SD slot, up to 256 GB
Network Storage	ANR, NAS(NFS)
<b>AI</b>	
Intrusion	Support false alarm filtering: Line crossing detection, Intrusion detection, Region entrance detection, Region exit detection
Statistical Analysis	Support tripwire people counting and area people counting
<b>Smart Features</b>	
Detection	Motion Detection, Tampering Alarm, Audio Detection
General Function	Watermark, IP address filtering, access policy, ARP protection, RTSP authentication, user authentication
<b>Certifications</b>	
Certifications	IEC 62368-1; EN 62368-1; UL 62368-1 FCC CFR 47 Part 15; EN 55032:2015; EN 55024:2010 EN 61000-3-2:2014; EN 61000-3-3-2013
<b>General</b>	
Power Supply	DC 12V ± 25%, PoE (IEEE 802.3af)
Power Consumption	Less than 4W
Working Environment	-30° C to +60° (-22°F ~ 140°F) / Less than 95% RH (non-condensing)
Ingress Protection	IP67
Surge protection	4KV
Material	Metal
Weight	0.44kg (0.97lb)
Dimensions	Φ110.5 x 94.1mm (Φ4.4" x 3.7")

\*Design and specifications are subjects to change without notice.



# INLGTO5IRWF

5 MP Vandal Proof Fixed ChromaView  
Turret Network Camera w/SD Slot

## Product Specifications



**XLGUP06**  
Pole Mount



**XLGUM06**  
Incline Mount



**XLGJB03-G**  
Junction Box



**XLGA01**  
Waterproof Joint



**XLGWM03-D**  
Wall Mount



**XLGJB07WM03-G**  
Wall Mount



**XLGSE24**  
Pendant Mount



**VUSD256G**  
Micro SD Card



**XLGSE24-A**  
Pendant Mount



**XLGCM24**  
Ceiling Mount

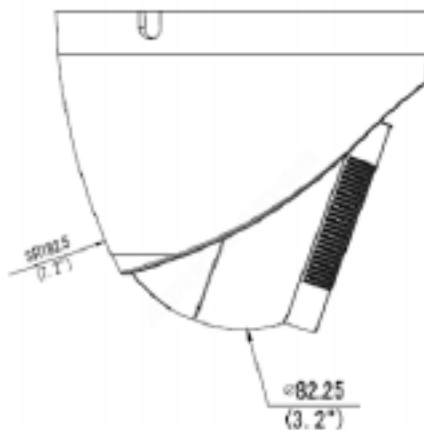
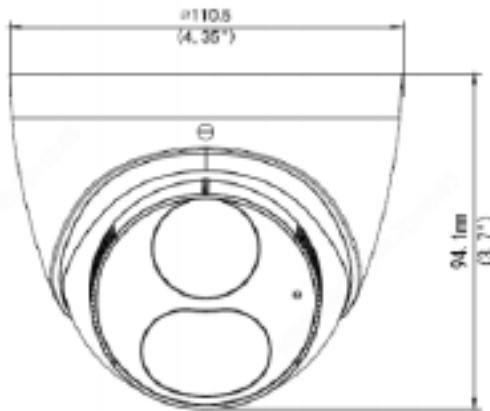
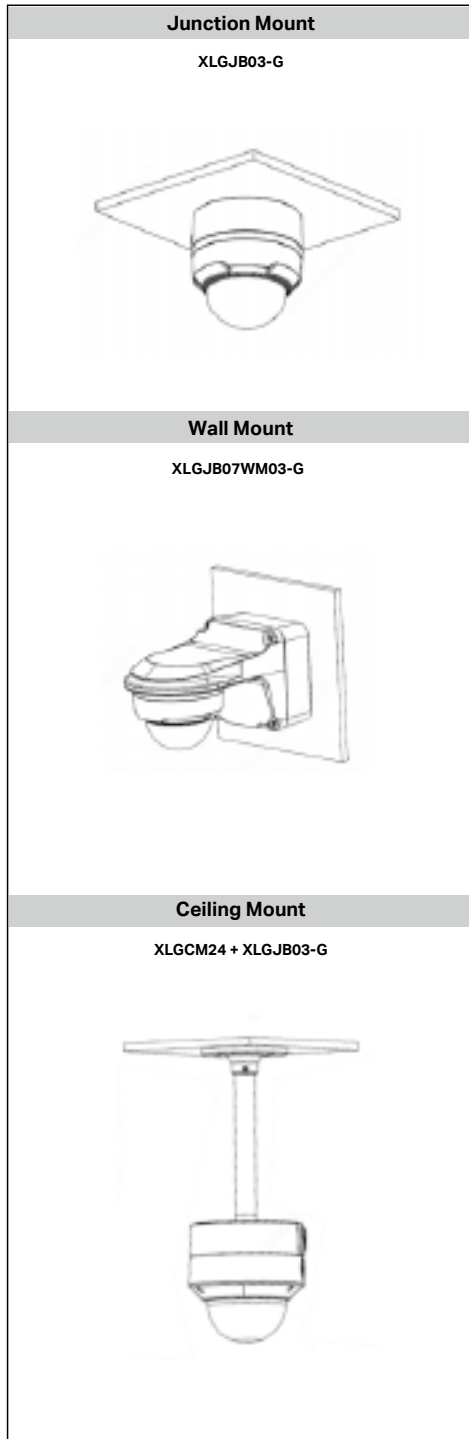
\*Design and specifications are subjects to change without notice.



# INLGTO5IRWF

## Product Specifications

5 MP Vandal Proof Fixed ChromaView  
Turret Network Camera w/SD Slot



\*Design and specifications are subjects to change without notice.

