

IN-162POEWM

FULL POWER 16-port 10M/100M PoE
+ 2 Gigabit Copper 1000M Rack-mount
Gigabit Ethernet Switch (240watts)

PoE 2.0



- Intelligent PoE
- Red port supports 90W IEEE802.3bt
- Web management with friendly interface and easy operation
- 250 m long distance PoE transmission
- PoE watchdog
- Plug and play

Application



*Design and specifications are subjects to change without notice.



IN-162POEWM

FULL POWER 16-port 10M/100M PoE
+ 2 Gigabit Copper 1000M Rack-mount
Gigabit Ethernet Switch (240watts)

Product Specification

Performance	
Layer	Layer 2
Managed	Yes
Switching Capacity	8.8 Gbps
Packet Forwarding Rate	5.36 Mpps
Packet Buffer Memory	2.75 Mbit
MAC Table Size	4K
Communication Standard	IEEE802.3; IEEE802.3u; IEEE802.3x; IEEE 802.3ab; IEEE 802.3z
Hardware Feature	
Standard Power Supply	Yes
PoE	Yes
Ethernet Port	16
Optical Port	2
Ethernet Port Rate	100Mbps
Optical Port Rate	1 Gbps
Card Slots	Port 1-16: 16 × RJ-45 10 M/100 M (PoE) Port 17-18: 2 × RJ-45 10 M/100 M/1000 M (uplink) Port 17-18: 2 × SFP 1000 M (uplink) (combo)
Debugging	Console x 1
Power Supply	100V to 240V AC
Operating Temperature	-10 °C to +55 ° (14 °F to 131 °F)
Operating Humidity	10% RH-90% RH
Power Consumption	Idling: 10W; Full load: 240W
PoE	
PoE Standard	IEEE802.3af / IEEE802.3at / Hi-PoE / IEEE802.3bt
PoE Budget	Port 1-2 ≤ 90W, Port 3-16 ≤ 30W, total ≤ 240W
PoE Pin Assignment	1, 2, 4, 5 (V+), 3, 6, 7, 8 (V-)
PoE Management	Power consumption management; Power on and power off Power down for overload; Green PoE; Legacy support
Long Distance PoE Transmission	250 m long-distance power supply
Functions	
Spanning Tree Protocol	IEEE 802.1d (STP); 802.1w (RSTP)
VLAN	IEEE802.1q Standard VLAN
Flow Control	Supports IEEE 802.3x (full duplex flow control) and back pressure flow control (half duplex)
Link Aggregation	Static; LACP
Port Mirroring	One-to-one; multiple-to-one
Multicast	GMP snooping based on port
DHCP	DHCP client
Security	Hardware supports IP and MAC binding based on port, MAC filtering based on port, and IEEE802.1x port authentication
QoS	High and low priority; WRR; 802.1P; DSCP; Priority based on protocol

*Design and specifications are subjects to change without notice.



IN-162POEWM

FULL POWER 16-port 10M/100M PoE
+ 2 Gigabit Copper 1000M Rack-mount
Gigabit Ethernet Switch (240watts)

Product Specification

General	
ESD	Air discharge: 8kV Contact discharge: 6kV
Thunder-proof	Common mode: 4kV Differential mode: 2kV
Dimensions	440 mm × 300 mm × 44 mm (17.32" × 11.81" × 1.73") (L × W × H)
Packaging Dimensions	Packing box: 527 mm × 412 mm × 110 mm (20.75" × 16.22" × 4.33") Protective box: 584 mm × 549 mm × 446 mm (22.99" × 21.61" × 17.56")

Transmission Performance Switch power supply voltage 53V. CAT5E/CAT6. Max. DC resistance < 10Ω/100m		
Cable (m)	Load Capacity (W)	Bandwidth (Mbps)
IEEE802.3bt 90W		
100	71.3	100
150	62	10
200	51	10
250	40	10
Hi-PoE 60W		
100	53	100
150	50	10
200	47	10
250	37	10
IEEE802.3at 30W		
100	25.5	100
150	25.5	10
200	25.5	10
250	25.5	10
Note: Data from this table was collected by Inaxsys test lab and is for reference only. If there is inconsistency between field application and the table, the field result shall prevail.		

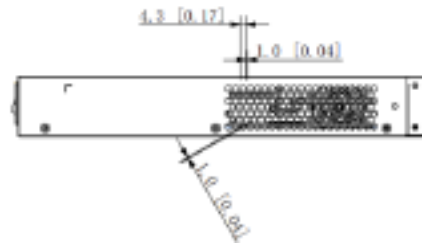
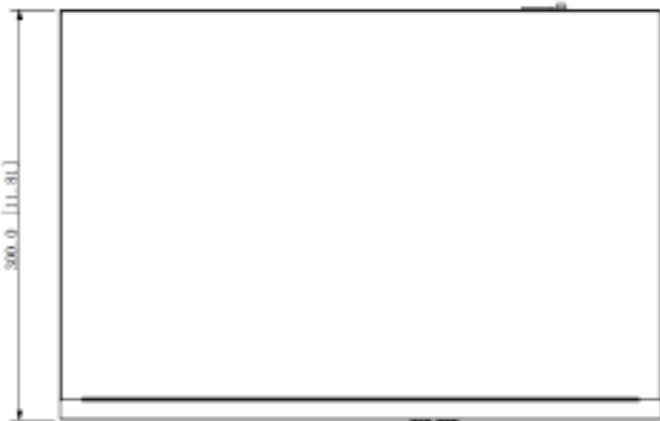
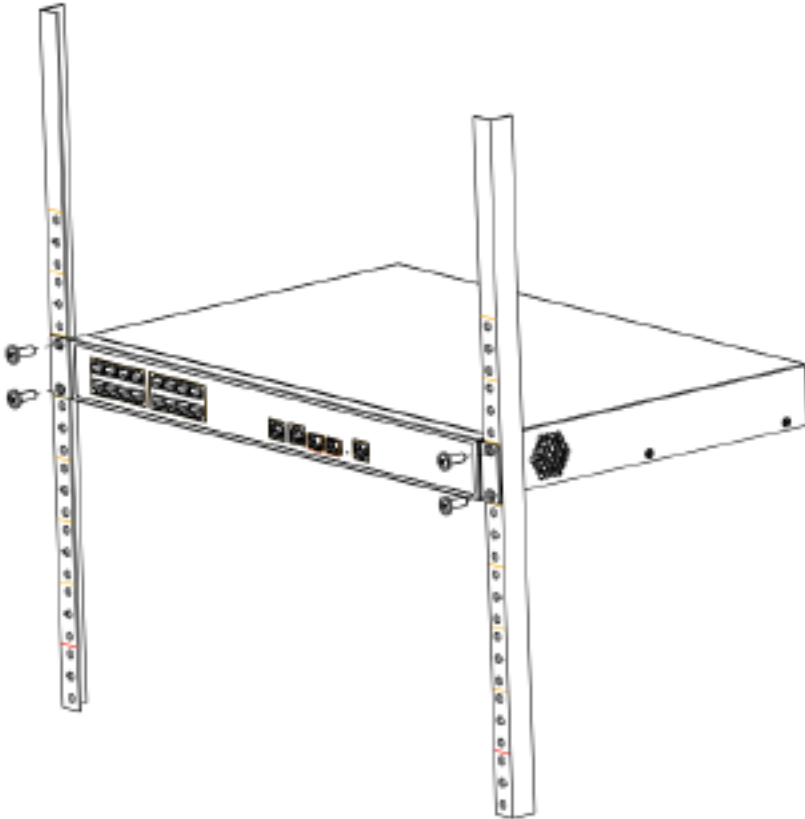
*Design and specifications are subjects to change without notice.



IN-162POEWM

FULL POWER 16-port 10M/100M PoE
+ 2 Gigabit Copper 1000M Rack-mount
Gigabit Ethernet Switch (240watts)

Installation & Dimensions



*Design and specifications are subjects to change without notice.

