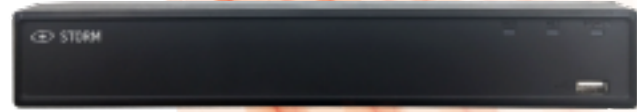


INS414UVR

4 Channel 4K Universal DVR

LiteAI Universal Recorder

- H.265+/H.265 dual-stream video compression
- Supports HDCVI/AHD/TVI/CVBS/IP video inputs
- Max 4 channels IP camera inputs, each channel up to 8MP
- Max 64 Mbps incoming bandwidth
- IoT & POS functionalities
- Up to 2 channels video stream (analog channel) Area Protector
- Up to 4 channels video stream (analog channel) Smart Motion Detection



STORM Application

The STORM app is available on the iOS App Store and Google Play. It allows you to remotely access back-end devices, view live video, receive event push notifications, and search for recorded videos from an iPhone, iPad, or Android phone at anytime from virtually anywhere.

Smart H.265+ & H.264+

STORM smart encoding technology can provide high-quality video with higher efficiency and can also reduce the cost of storage space and transmission adopting an advanced algorithm of auto stream control.

Unify your Security Solution

Due to its cost-effective and easy-to-install design, this UVR is ideal for a wide range of applications



*Design and specifications are subjects to change without notice.



INS414UVR

Product Specifications

4 Channel 4K Universal DVR

System	
Main Processor	Embedded Processor
Operating System	Embedded LINUX
Area Protector	
Performance	2 channels; 10 intelligent video analytics for each channel
AI Search	Search by target classification (Human, Vehicle)
Object classification	Human/Vehicle secondary recognition for tripwire and intrusion
Face Recognition	
Performance	Max 8 face pictures/sec processing; 2 channels video stream face recognition, only support analog camera
Stranger Mode	Detect strangers' faces (not in device's face database). Similarity threshold can be set manually.
AI Search	Up to 8 target face images search at same time, similarity threshold can be set for each target face image.
Database Management	Up to 10 facial databases with 20,000 face images in total. Name, gender, birthday, address, certificate type, certificate No., countries & regions and state can be added to each facial picture.
Database Application	Each database can be applied to video channels independently.
Trigger Events	Buzzer, Voice Prompts, Email, Snapshot, Recording, Alarm Out, PTZ Activation, etc.
Smart Motion Detection	
Performance	4 channels
AI Search	Search by target classification (Human, vehicles)
Video	
Analog Camera Input	4 channels, BNC
HDCVI Camera Input	4K, 6MP, 5MP, 4MP, 1080P at 25/30fps, 720P at 50/60fps, 720P at 25/30fps
AHD Camera Input	4K, 5MP, 4MP, 3MP, 1080P at 25/30, 720P at 25/30fps
TVI Camera Input	4K, 5MP, 4MP, 3MP, 1080P at 25/30, 720P at 25/30fps
CVBS Camera Input	PAL/NTSC
IP Camera Input	4+4 channels, each channel up to 8MP
Compression	
Video	AI Coding / H.265+ / H.265 / H.264+ / H.264
Audio	G.711A, G.711U, PCM
Recording	
Resolution	4K, 6MP, 5MP, 4K-N, 4MP, 3MP, 4M-N, 1080P, 720P, 960H, D1, CIF
Record Rate	Main stream: All channel 4K (1fps-7fps); 6MP (1fps-10fps); 5MP (1fps-12fps); 4K-N, 4MP/3MP (1fps-15fps); 4M-N / 1080P / 720P / 960H / D1 / CIF (1fps-25/30fps); Sub stream: 960H (1fps-15fps); D1/CIF (1fps-25/30fps)
Bit Rate	32 Kbps-6144 Kbps Per Channel
Record Mode	Manual, Schedule (General, Continuous), MD (Video detection: Motion Detection, Video Loss, Tampering), Alarm, Stop
Record Interval	1 - 60 min (default: 60 min), Pre-record: 1 s-30 s, Post-record: 10 s-300 s

*Design and specifications are subjects to change without notice.



INS414UVR

Product Specifications

4 Channel 4K Universal DVR

Audio	
Audio Sample Rate	8 KHz, 16 bit Per Channel
Audio Bit Rate	64 Kbps Per Channel
Backup	USB device
Display	
Interface	1 HDMI ,1 VGA
Resolution	HDMI: 3840 × 2160, 1920 × 1080, 1280 × 1024, 1280 × 720 VGA: 1920 × 1080, 1280 × 1024, 1280 × 720
Multi-screen Display	When IP extension mode not enabled: 1 / 4 When IP extension mode enabled: 1 / 4 / 8 / 9
OSD	Camera title, Time, Video loss, Camera lock, Motion detection, Recording
Network	
Interface	1 RJ-45 Port (100 MB)
Network Function	HTTP, HTTPS, TCP/IP, IPv4/IPv6, Wi-Fi, 3G/4G, SNMP, UPnP, RTSP, UDP, SMTP, NTP, DHCP, DNS, IP Filter, PPPoE, DDNS, FTP, Alarm Server, P2P, IP Search (Supports STORM IP camera, DVR, etc.)
Max. User Access	128 users
Interoperability	ONVIF 16.12, CGI Conformant
Video Detection & Alarm	
Video Detection	Motion Detection, MD Zones: 396 (22 × 18), Video Loss, Tampering and Diagnosis
Trigger Events	Recording, PTZ, Tour, Video Push, Email, FTP, Snapshot, Buzzer and Screen Tips
Playback and Backup	
Playback	1/4
Search Mode	Time /Date, Alarm, MD and Exact Search (accurate to second)
Playback Function	Play, Pause, Stop, Rewind, Fast play, Slow Play, Next File, Previous File, Next Camera, Previous Camera, Full Screen, Repeat, Shuffle, Backup Selection, Digital Zoom
Backup Mode	USB Device/Network
Storage	
Internal HDD	1 SATA Port, up to 10TB capacity
Auxiliary Interface	
USB	2 USB Ports (USB 2.0)
RS485	1 Port, for PTZ Control
General	
Power Supply	DC 12V/2A
Weight	3.3 lbs (1.5kg)
Dimensions	260 mm × 238 mm × 48 mm (10.24" × 9.34" × 1.87")
Operating Temperature	-10°C to +55°C (+14°F to +131°F), 0–90% RH
Power Consumption	Less than 7W

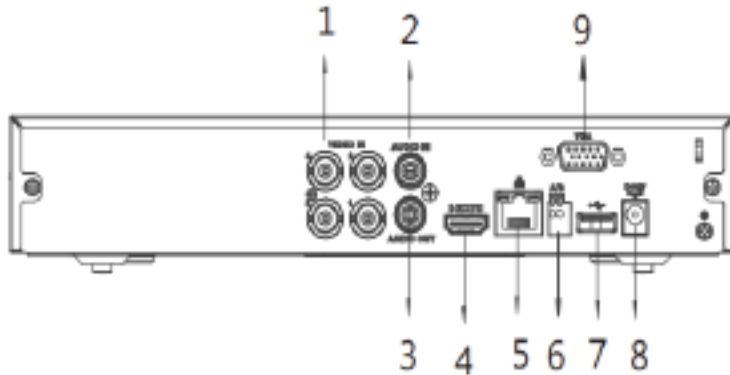
*Design and specifications are subjects to change without notice.



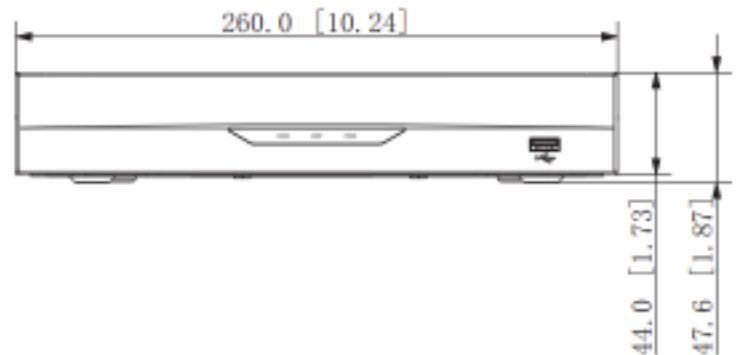
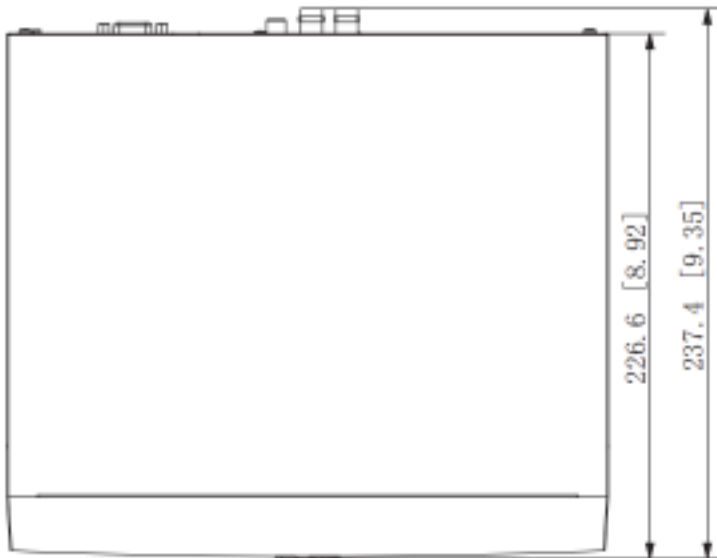
INS414UVR

Product Specifications

4 Channel 4K Universal DVR



- | | | | |
|---|--------------------------|---|--------------------|
| 1 | VIDEO IN | 6 | RS485 Interface |
| 2 | AUDIO IN, RCA Connector | 7 | USB Interface |
| 3 | AUDIO OUT, RCA Connector | 8 | DC 12V Power Input |
| 4 | HDMI Interface | 9 | VGA Interface |
| 5 | Network Interface | | |



*Design and specifications are subjects to change without notice.