

Ceiling Mount - INSX220C

Material: Aluminum

Dimensions: 128.80 mm x 767.0 mm

Color: White

Type of Installation: Ceiling

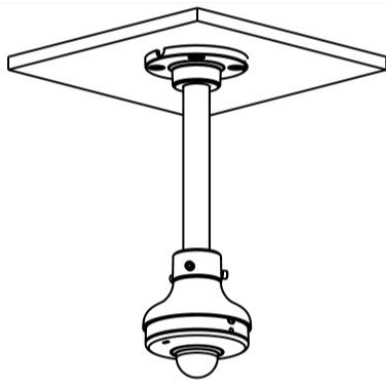
Net Weight: 0.9kg

Load Bearing Capacity: 2.0kg **Compatible**

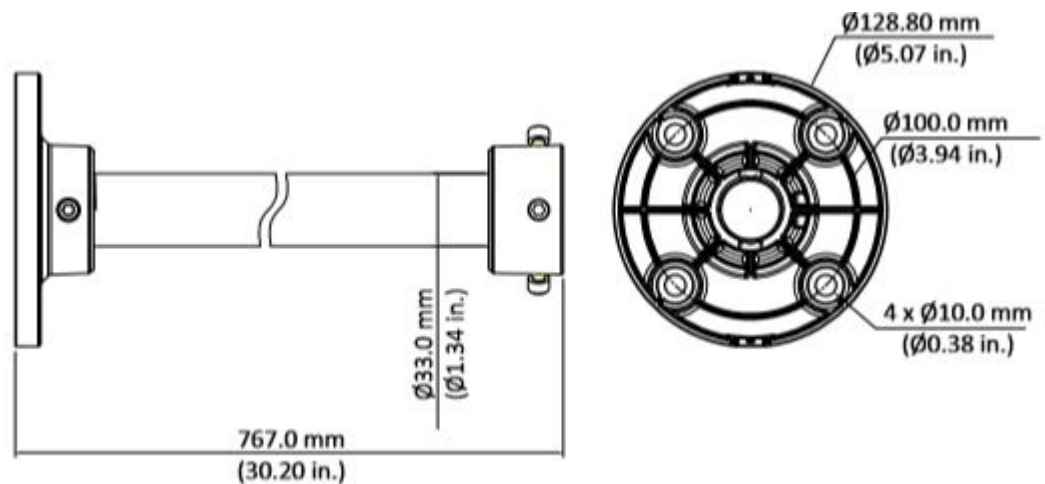
with : INSX106



Applications



Dimensions (mm)



Works with



INSX106