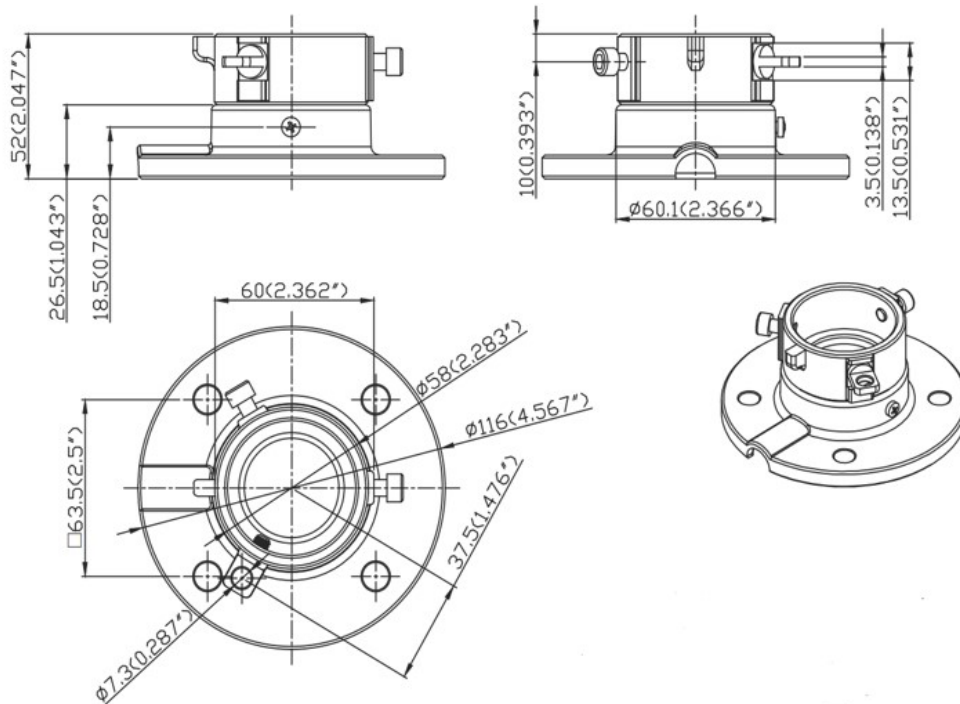


Pendant Mount Bracket for NX PTZ



Characteristics	
Colour	White
Material	Aluminum Alloy
Dimensions	Φ116 × 52mm (Φ4.57" × 2.05")
Weight	1.09 lb / 496.4 g

Dimensions



* Design and specifications are subject to change without notice.