

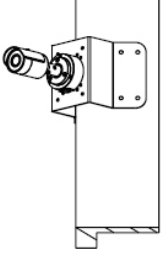
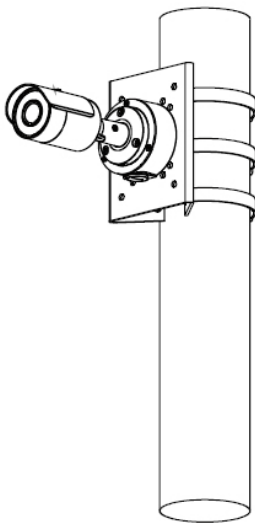
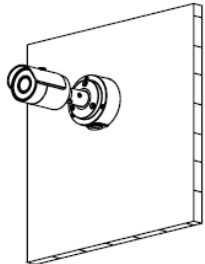
## 2MP IP Bullet Camera with IR

- 1/2.7" 2 Megapixel Progressive Scan CMOS
- H.265 & H.264 Dual-Stream Encoding
- Maximum 25/30FPS at 1080P (1920 × 1080)
- DWDR, Day/Night (ICR), AWB, AGC, BLC
- Multiple Network Monitoring: Web Viewer, STORM VMS
- 2.8mm Fixed Lens
- Maximum Length of IR LEDs: 30m
- IP67, PoE
- Outdoor / Indoor

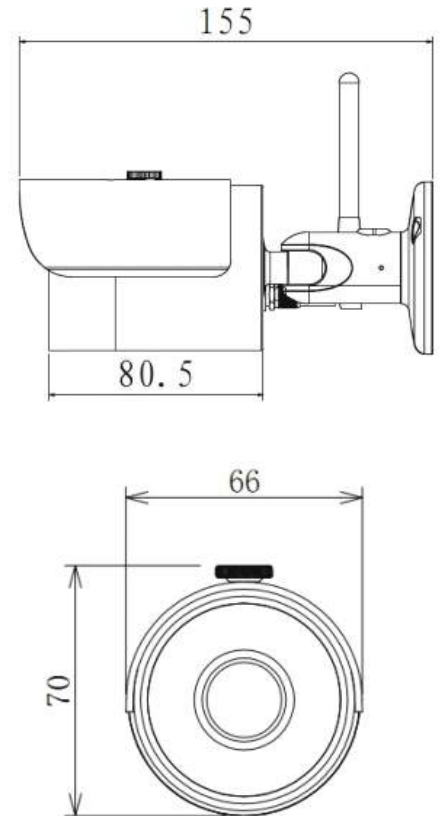


### Popular Mounting Solutions



Corner Mount	Pole Mount
INSX134 + INSX151	INSX134 + INSX150
	
Junction Mount	
INSX134	
	

### Dimensions (mm)



## Technical Specifications

Camera					
Image Sensor	1/2.7" 2 Megapixel progressive CMOS				
Effective Pixels	1920 (H) x1080 (V)				
RAM/ROM	256 MB / 16 MB				
Scanning System	Progressive				
Electronic Shutter Speed	Auto/Manual, 1/3~1/100000s				
Minimum Illumination	0.1 Lux / F2.0(Color), 0 Lux / F2.0 (IR on)				
S/N Ratio	More than 50dB				
IR Distance	Distance up to 30m (98ft)				
IR LEDs	18				
Camera Features					
Day/Night	Auto(ICR) / Color / B/W				
Backlight Compensation	BLC / HLC / DWDR				
White Balance	Auto / Natural / Street Lamp / Outdoor / Manual				
Gain Control	Auto / Manual				
Noise Reduction	3D DNR				
Digital Zoom	16x				
Privacy Masking	4 Areas				
Lens					
Lens Type	Fixed				
Mount Type	Board-in				
Focal Length	2.8 mm				
Max. Aperture	F2.0				
Viewing Angle	H:104°, V:55°				
Optical Zoom	N/A				
Focus Control	Fixed				
Pan/Tilt/Rotation	Pan: 0°~360°; Tilt: 0°~90°; Rotation: 0°~360°				
DORI	Lens	Detect	Observe	Recognize	Identify
Distance	2.8mm	40m (131ft)	16m (52ft)	8m (30ft)	4m (16ft)
Video					
Compression	H.265 / H.264				
Resolution	1080P (1920 × 1080) / 1.3MP (1280 × 960) / 720P (1280 × 720) D1 (704 × 576 / 704 × 480) / VGA (640 × 480) / CIF (352 × 288 / 352 × 240)				
Frame Rate	Main Stream: 2MP (1 ~ 25/30fps)				
	Sub Stream: D1/CIF (1 ~ 25/30fps)				
	Third Stream: N/A				
Bit Rate	H.265: 12K ~ 6400Kbps; H.264: 32K ~ 10240Kbps				

\* Design and specifications are subject to change without notice.

## Technical Specifications

Audio	
Compression	N/A
Intelligent Functions	
IVS	Tripwire, Intrusion
Event Trigger	Motion detection, Video tampering, Scene changing, Storage anomaly
Network	
Ethernet	RJ-45 (10/100Base-T)
Protocol	HTTP; HTTPS; TCP; ARP; RTSP; RTP; RTCP; UDP; SMTP; FTP; DHCP; DNS; DDNS; PPPoE; IPv4/v6; QoS; UPnP; NTP; Bonjour; IEEE 802.1x; Multicast; ICMP; IGMP; TLS
Compatibility	ONVIF Profile S&G, API
Maximum User Access	10 Users/20 Users
Smart Phone	iOS, Android
Interface	
Video Interface	N/A
Audio Interface	N/A
RS485	N/A
Alarm	N/A
General	
Power Supply	DC12V PoE (802.3af)(Class 0)
Power Consumption	Less than 5.5W
Working Environment	-30° C ~ +50° C (-22° F ~ +140° F) / Less than 95% RH
Ingress Protection	IP67
Vandal Protection	N/A
Dimensions	Φ 70mm × 164.7mm (2.76" x 6.49")

\* Design and specifications are subject to change without notice.