

## 2.1MP 1080P HDCVI Auto-Focus Dome W/IR, 120dB

- Starlight, 120dB true WDR, 3DNR
- Max. 30fps at 1080P
- HD/SD output switchable
- Audio in interface
- 2.7-13.5mm motorized lens
- Max. IR length 30m, Smart IR
- IP67, IK10, DC12V

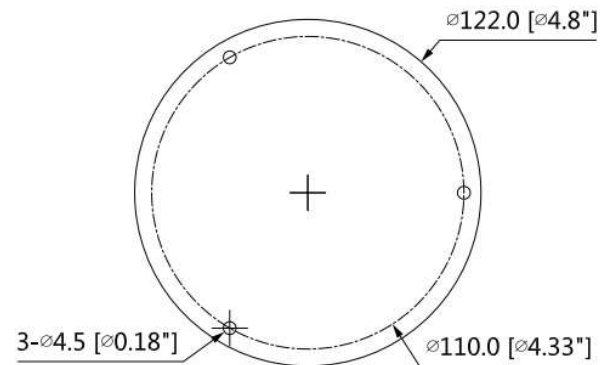
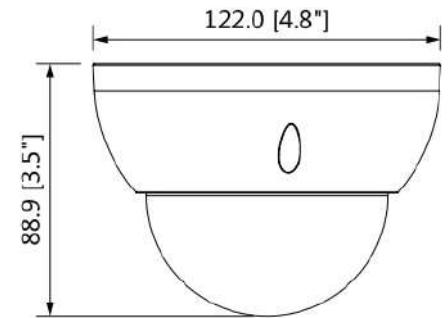


### Popular Mounting Solutions



Junction Mount	In-ceiling Mount
INSX137	INSX200C
Wall Mount	Pole Mount
INSX203	INSX152 + INSX203
Wall Mount with Rain Shade	
INSX200W + INSX137	
Pole Mount with Rain Shade	
INSX137 + INSX200W + INSX152	

### Dimensions (mm)



## Technical Specifications

Camera					
Image Sensor	1/2.8" CMOS				
Effective Pixels	1920(H) × 1080(V), 2MP				
Scanning System	Progressive				
Electronic Shutter Speed	PAL: 1/4s~1/100000s NTSC: 1/3s~1/100000s				
Minimum Illumination	0.004 Lux / F 1.6, 30 IRE, 0 Lux IR on				
S/N Ratio	More than 65dB				
IR Distance	Up to 30m (98 ft)				
IR LEDs	2				
Camera Features					
Day/Night	Auto (ICR) / Manual				
Backlight Compensation	BLC / HLC / WDR(120dB)				
White Balance	Auto / Manual				
Gain Control	AGC				
Noise Reduction	2D/3D				
Smart IR	Auto / Manual				
Lens					
Lens Type	Motorized lens / Fixed iris				
Mount Type	Board-in				
Focal Length	2.7-13.5mm				
Max. Aperture	F1.6				
Viewing Angle	H: 108.7° ~ 28.7°				
Focus Control	Auto / Manual				
Pan/Tilt/Rotation	Pan: 0° ~ 360°; Tilt: 0° ~ 87°; Rotation: 0° ~ 360°				
DORI Distance	Lens	Detect	Observe	Recognize	Identify
	W	44m (144ft)	18m (59ft)	9m (30ft)	5m (16ft)
	T	153m (502ft)	61m (200ft)	31m (102ft)	15m (49ft)
Video					
Resolution	1080P (1920×1080)				
Frame Rate	25/30fps at 1080P, 25/30/50/60fps at 720P				
Video Output	1-channel BNC high definition video output / CVBS video output (DIP switch)				

\* Design and specifications are subject to change without notice.

## Technical Specifications

Interface	
Audio Interface	1
General	
Power Supply	12V DC $\pm$ 30%
Power Consumption	Max. 4.7W (12V DC, IR on)
Working Environment	-30°C ~ +50°C / Less than 90% RH
Ingress Protection	IP67
Vandal Protection	IK10
Dimensions	$\Phi$ 122mm $\times$ 88.9mm ( $\Phi$ 4.8" $\times$ 3.5")

\* Design and specifications are subject to change without notice.