

6MP 360 Degree Hemispheric Camera

- 1/1.8" 6 Megapixel Progressive Scan STARVIS™ CMOS
- H.265 & H.264 Triple-Stream Encoding
- Maximum 25/30fps at 6MP (3072x2048)
- Multiple De-Wrap Mode
- DWDR, Day/Night (ICR), 3DNR, AWB, AGC, BLC
- Smart Detection
- Maximum Length of IR LEDs: 10m
- Intelligent Function
- IP67, IK10, PoE



Popular Mounting Solutions



INSX100
Mount Adapter



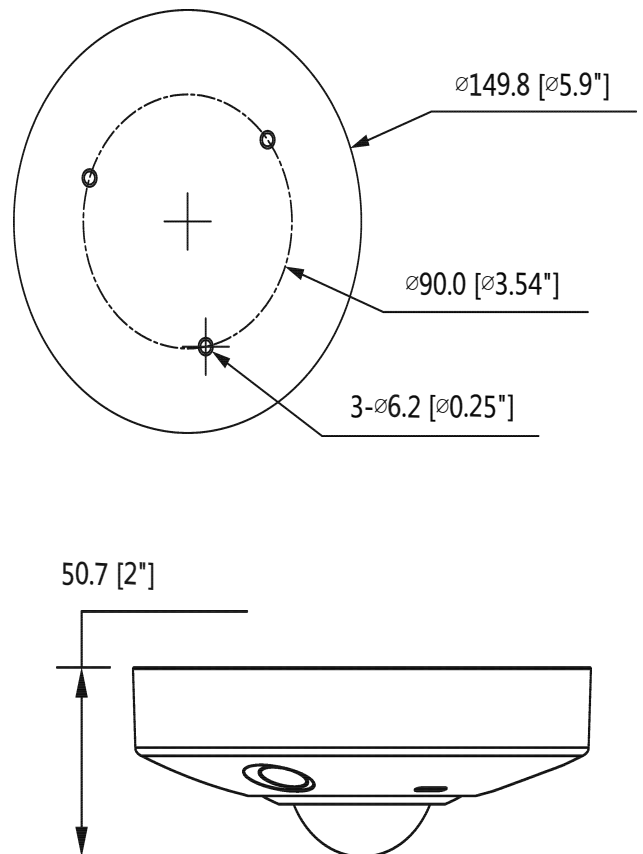
INSX302
Wall Mount



INSX152
Pole Mount

Wall Mount	Pole Mount
INSX302 + INSX100	INSX100 + INSX302 + INSX152

Dimensions (mm)



Technical Specifications

Camera				
Image Sensor	1/1.8" 6 Megapixels progressive scan CMOS			
Effective Pixels	3072 (H) x 2048 (V)			
RAM/ROM	1024MB / 128MB			
Scanning System	Progressive			
Electronic Shutter Speed	Auto/Manual, 1/3~1/100000s			
Minimum Illumination	0.002 Lux / F2.0 (Color, 1/3s, 30IRE); 0.02 Lux / F2.0 (Color, 1/30s, 30IRE) 0 Lux / F2.0 (IR on)			
S/N Ratio	More than 50dB			
IR Distance	Distance up to 10m(33ft)			
IR LEDs	3			
Camera Features				
Day/Night	Auto(ICR) / Color / B/W			
Backlight Compensation	BLC / HLC / DWDR			
White Balance	Auto/ Natural/ Street Lamp/ Outdoor/ Manual			
Gain Control	Auto/Manual			
Noise Reduction	3D DNR			
Digital Zoom	16x			
Privacy Masking	4 Areas			
Lens				
Lens Type	Fixed			
Mount Type	Board-in			
Focal Length	1.7mm			
Max. Aperture	F2.0			
Viewing Angle	H: 180°, V:180°			
Optical Zoom	N/A			
Focus Control	Fixed			
Pan/Tilt/Rotation	N/A			
DORI	Detect	Observe	Recognize	Identify
Distance	28m (92ft)	11m (36ft)	6m (19ft)	3m (9ft)

* Design and specifications are subject to change without notice.

Technical Specifications

Video	
Compression	H.265/H.264
Resolution	6MP (3072 × 2048) / 4MP (2048 × 2048) / 3MP (2048 × 1536) / UXGA (1600 × 1200) / 1.3MP (1280 × 960) / D1 (704 × 576/704 × 480) / CIF (352 × 288/352 × 240)
Frame Rate	Main Stream: 6MP (1~25/30fps)
	Sub Stream: D1 (1 ~ 25/30fps)
	Third Stream: 1.3MP (1 ~ 25/30fps)
Bit Rate	H.265: 3Kbps~ 9984Kbps; H.264: 8Kbps~ 16384Kbps
Audio	
Compression	G.711a/G.711Mu/AAC/ G.726
Network	
Ethernet	RJ-45 (100/1000Base-T)
Protocol	HTTP; HTTPS; TCP; ARP; RTSP; RTP; UDP; SMTP; FTP; DHCP; DNS; DDNS; PPPOE; IPv4/v6; QoS; UPnP; NTP; Bonjour ; 802.1x; Multicast; ICMP; IGMP; SNMP
Compatibility	ONVIF, PSIA, CGI
Maximum User Access	10/20 Users
Smart Phone	iOS, Android
Interface	
Video Interface	N/A
Audio Interface	1/1 channel In/Out, 1 Built-in Mic
RS485	N/A
Alarm	2 channels In: 5mA 5VDC 2 channels Out: 1A 30VDC / 0.5A 50VAC
General	
Power Supply	DC12V, PoE (802.3af)(Class 0)
Power Consumption	Less than 12W
Working Environment	-30° C ~ +50° C / Less than 95% RH
Ingress Protection	IP67
Vandal Protection	IK10
Dimensions	Φ149.8mm × 50.7mm (Φ5.9" × 2")

* Design and specifications are subject to change without notice.