

4x2MP Multi-Lens Panoramic Dome with IR

- Four 1/2.8" 2 Megapixel Progressive Scan STARVIS™ CMOS
- H.265 & H.264 Triple-Stream Encoding
- Max 25FPS at 4096x1800
- Support 180-Degree Panoramic View
- Day/Night (ICR), 3DNR, AWB, AGC, BLC
- Smart Detection
- Intelligent Function
- Max. IR LEDs Length: 30m
- Micro SD Card, up to
- IP67, IK10, PoE+

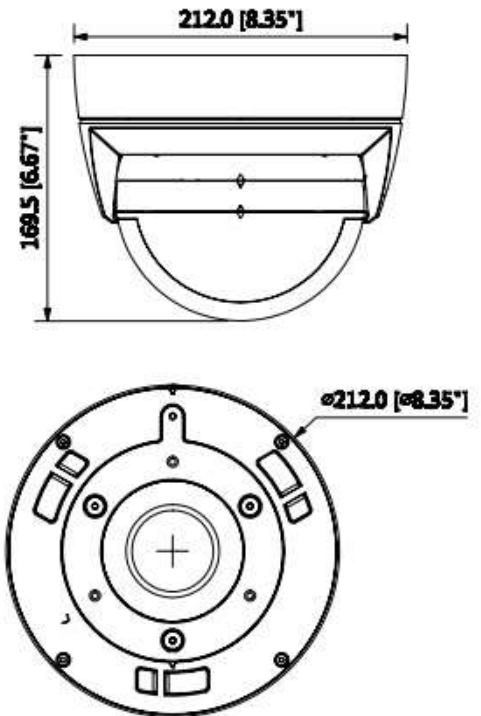


Popular Mounting Solutions

Dimensions (mm)



Ceiling Mount	Junction Wall Mount
INSX111 + INSX300	INSX111 + INSX303 + INSX120
Power Box Wall Mount	Pole Mount
INSX111 + INSX303 + INSX140	INSX111 + INSX303 + INSX150
Corner Mount	Parapet Mount
INSX111 + INSX303 + INSX151	INSX111 + INSPARA



Technical Specifications

Camera				
Image Sensor	Four 1/2.8" 2 Megapixel progressive scan CMOS			
Effective Pixels	4096(H) x 1800(V)			
RAM/ROM	1024MB / 128MB			
Scanning System	Progressive			
Electronic Shutter Speed	Auto/Manual, 1/3~1/100000s			
Minimum Illumination	0.007 Lux / F2.0 (Color, 1/3s, 30IRE); 0.05 Lux / F2.0 (Color, 1/30s, 30IRE); 0 Lux / F2.0 (IR on)			
S/N Ratio	More than 50dB			
IR Distance	Distance up to 30m (98ft)			
IR LEDs	6			
Camera Features				
Day/Night	Auto(ICR) / Color / B/W			
Blacklight Compensation	BLC / HLC / DWDR			
White Balance	Auto / Natural / Street Lamp / Outdoor / Manual			
Gain Control	Auto/Manual			
Noise Reduction	3D DNR			
Digital Zoom	16x			
Privacy Masking	4 Areas			
Lens				
Lens Type	Fixed			
Mount Type	Board-in			
Focal Length	3.0mm			
Max. Aperture	F2.0			
Viewing Angle	H: 180°; V:80°			
Optical Zoom	N/A			
Focus Control	Fixed			
Pan/Tilt/Rotation	Pan: 0°~355°; Tilt: 0°~75°; Rotation: ±20°			
DORI	Detect	Observe	Recognize	Identify
Distance	41m (135ft)	16m (53ft)	8m (26ft)	4m (13ft)
Video				
Compression	H.265+ / H.265 / H.264+ / H.264			
Resolution	4096x1800 / 3840x1680 / 2880x1264 / 1920x832 / 1280x560 / 1024x452			
Frame Rate	Main Stream: 4096x1800 (1~25fps)			
	Sub Stream: 1024x452 (1~25/30fps)			
	Third Stream: 1920x832 (1~25/30fps)			
Bit Rate	H.265: 9Kbps~9472Kbps; H.264: 24Kbps~15616Kbps			
Audio				
Compression	G.711a / G.711Mu / AAC / G.726			

* Design and specifications are subject to change without notice.

Technical Specifications

Intelligent Functions	
IVS	Tripwire, Intrusion, Object Abandoned/Missing
Adv. Intelligent Functions	Heat Map, E-PTZ
Network	
Ethernet	RJ-45 (100/1000Base-T)
Protocol	HTTP; HTTPS; TCP; ARP; RTSP; RTP; UDP; SMTP; FTP; DHCP; DNS; DDNS; PPPOE; IPv4/6; QoS; UPnP; NTP; Bonjour; 802.1x; Multicast; ICMP; IGMP; SNMP
Compatibility	ONVIF, PSIA, CGI
Maximum User Access	10 Users / 20 Users
Smart Phone	iOS, Android
Interface	
Video Interface	1 Port (For adjustment only)
Audio Interface	1/1 channel In/Out
RS485	N/A
Alarm	2 channel In: 5mA 5VDC 2 channel Out: 1A 30VDC / 0.5A 50VAC
General	
Power Supply	AC24V, PoE+ (802.3at)(Class 4)
Power Consumption	Less than 25.5W
Working Environment	-40° C ~ +50° C / Less than 95% RH
Ingress Protection	IP67
Vandal Protection	IK10
Dimensions	Φ 212mm × 169.5mm (Φ 8.35" × 6.67")

* Design and specifications are subject to change without notice.