

2MP Recessed Starlight 30X PTZ Network Camera, H.265 Version

- 1/2.8" 2 Megapixel STARVIS™ CMOS
- Powerful 30x Optical Zoom
- Starlight Technology
- H.265 Encoding
- Auto-Tracking and IVS
- Max. 50/60FPS at 1080P
- Support PoE+
- IK10

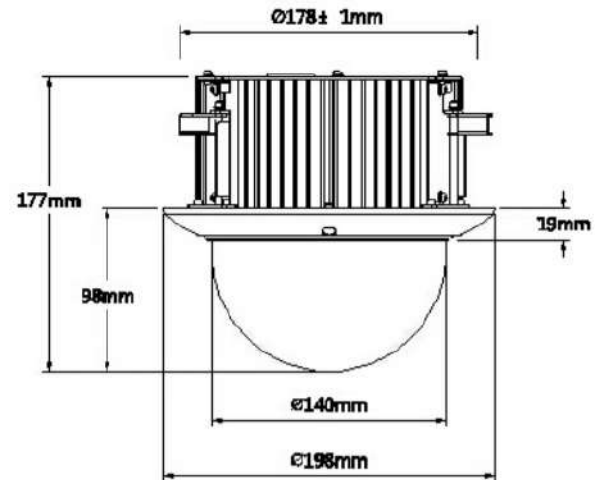


Included Accessory

DIMENSIONS (mm)



AC24V/1.5A
Power Supply



The INSDR2PTZ30X is self sustained and does not need any accessories except the transformer.

Technical Specifications

Camera				
Image Sensor	1/2.8" 2 Megapixel STARVIS™ progressive scan CMOS			
Effective Pixels	1920(H) x 1080(V)			
RAM/ROM	512M/ 128M			
Scanning System	Progressive			
Electronic Shutter Speed	1/1s~1/30,000s			
Minimum Illumination	Color: 0.005Lux at F1.6; B/W: 0.0005Lux at F1.6			
S/N Ratio	More than 55dB			
IR Distance	N/A			
IR LEDs	N/A			
Camera Features				
Day/Night	Auto(ICR) / Color / B/W			
Blacklight Compensation	BLC / HLC / WDR(120dB)			
White Balance	Auto, ATW, Indoor, Outdoor, Manual			
Gain Control	Auto/Manual			
Noise Reduction	Ultra DNR (2D/3D)			
Digital Zoom	16x			
Motion Detetion	Support			
Region of Interest	Support			
Privacy Masking	Up to 24 areas			
Lens				
Focal Length	4.5mm~135mm			
Max. Aperture	F1.6 ~ F4.4			
Viewing Angle	H: 67.8° ~ 2.4°			
Optical Zoom	30x			
Focus Control	Auto/Manual			
Pan/Tilt/Rotation	Pan: 0° ~ 360° endless; Tilt: 0° ~ 90°,auto flip 180°			
DORI	Detect	Observe	Recognize	Identify
Distance	1862m (6109ft)	744m (2441ft)	372m (1220ft)	186m (610ft)
Video				
Compression	H.265+ / H.265 / H.264+ / H.264			
Resolution	1080P(1920 × 1080)/1.3M(1280 × 960)/ 720P(1280 × 720)/ D1(704 × 576/704 × 480)/ CIF(352 × 288/352 × 240)			
Frame Rate	Main stream: 1080P/ 1.3M/ 720P(1~50/60fps)			
	Sub Stream: D1/ CIF(1 ~ 25/30fps)			
	Third Stream: 1080P/ 1.3M/720P/ D1/CIF(1~25/30fps)			
Bit Rate	H.265/ H.264: 448K ~ 8192Kbps			

* Design and specifications are subject to change without notice.

Technical Specifications

Audio	
Compression	G.711a/ G.711Mu/ AAC/ G.722 / G.726/ G.729/ MPEG2-L2
PTZ	
Manual Control Speed	Pan: 0.1° ~350° /s; Tilt: 0.1° ~250° /s
Preset Speed	Pan: 500° /s; Tilt: 500° /s
Presets	300
PTZ Mode	5 Patterns, 8 Tours, Auto Pan ,Auto Scan
Speed Setup	Human-oriented focal Length/ speed adaptation
Power up Action	Auto restore to previous PTZ and lens status after power failure
Idle Motion	Activate Preset/ Scan/ Tour/ Pattern if there is no command in the specified period
Intelligent Functions	
IVS	Tripwire, Intrusion, Abandoned/ Missing
Auto Tracking	Support
Network	
Ethernet	RJ-45 (10Base-T/100Base-TX)
Protocol	IPv4/IPv6, HTTP, HTTPS, SSL, TCP/IP, UDP, UPnP, ICMP, IGMP, SNMP, RTSP, RTP, SMTP, NTP, DHCP, DNS, PPPOE, DDNS, FTP, IP Filter, QoS, Bonjour, 802.1x
Compatibility	ONVIF, PSIA, CGI
Maximum User Access	20 Users
Smart Phone	iOS, Android
Interface	
Video Interface	N/A
Audio Interface	1/1
RS485	N/A
Alarm	2/1
General	
Power Supply	AC24V/1.5A(±10%), PoE+(802.3at)
Power Consumption	13W
Working Environment	-30°C ~ +50°C / Less than 90% RH
Ingress Protection	N/A
Vandal Protection	IK10
Dimensions	Φ198(mm) x 177(mm)

* Design and specifications are subject to change without notice.