

2.1 MP 1080p IP Eyeball Camera with IR

- 1/2.7" 2 Megapixel Progressive Scan CMOS
- H.265 & H.264 Dual-Stream Encoding
- Maximum 25/30fps at 1080p (1920x1080)
- DWDR, Day/Night (ICR), AWB, AGC, BLC
- Multiple Network Monitoring: Web Viewer, STORM VMS
- Maximum Length of IR LEDs: 30m
- 2.8mm Fixed Lens
- IP67, PoE



Popular Mounting Solutions



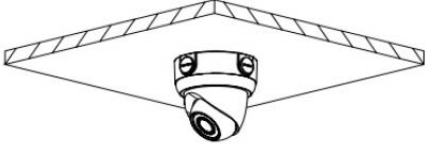
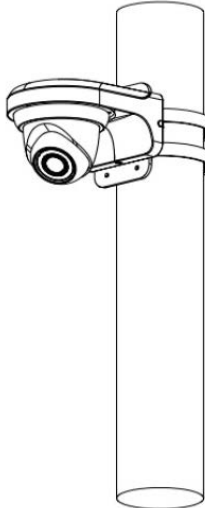
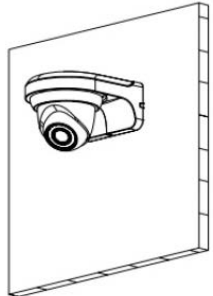
INSX136
Ceiling Box



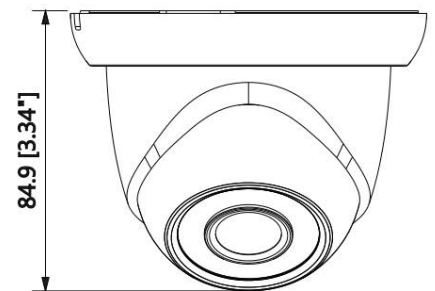
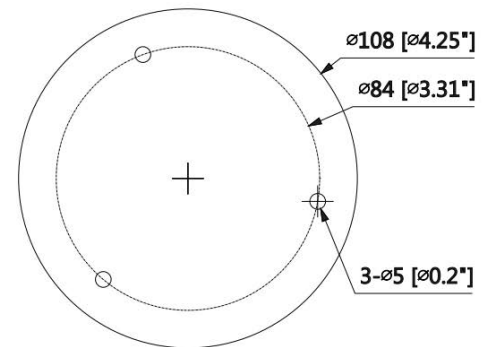
INSX203
Wall Mount



INSX152
Pole Mount

Junction Mount	Pole Mount
INSX136	INSX203 + INSX152
	
Wall Mount	
INSX203	
	

Dimensions (mm)



Technical Specifications

Camera				
Image Sensor	1/2.7" 2 Megapixels progressive scan CMOS			
Effective Pixels	1920 (H) x 1080 (V)			
RAM/ROM	256MB / 32MB			
Scanning System	Progressive			
Electronic Shutter Speed	Auto/Manual, 1/3~1/100000s			
Minimum Illumination	0.008 Lux / F2.0 (Color, 1/3s, 30IRE) 0.3 Lux / F2.0 (Color, 1/30s, 30IRE) 0 Lux / F2.0 (IR On)			
S/N Ratio	More than 50dB			
IR Distance	Distance up to 30m(98ft)			
IR LEDs	12			
Camera Features				
Day/Night	Auto(ICR) / Color / B/W			
Backlight Compensation	BLC / HLC / DWDR			
White Balance	Auto/ Natural/ Street Lamp/ Outdoor/ Manual			
Gain Control	Auto/Manual			
Noise Reduction	3D DNR			
Digital Zoom	16x			
Privacy Masking	Off/ On (4 Areas, Rectangle)			
Lens				
Lens Type	Fixed			
Mount Type	Board-in			
Focal Length	2.8mm			
Max. Aperture	F2.0			
Viewing Angle	H: 104°, V:55°			
Optical Zoom	N/A			
Focus Control	Fixed			
Pan/Tilt/Rotation	Pan: 0°~360° ; Tilt: 0°~90° ; Rotation: 0°~360°			
DORI	Detect	Observe	Recognize	Identify
Distance	40m (131ft)	16m (52ft)	8m (26ft)	4m (13ft)

* Design and specifications are subject to change without notice.

Technical Specifications

Intelligent Functions	
IVS	Tripwire, Intrusion
Adv. Intelligent Functions	Motion detection, Video tampering, Scene changing, Storage anomaly
Audio	
Compression	N/A
Network	
Ethernet	RJ-45 (10/100Base-T)
Protocol	HTTP; HTTPS; TCP; ARP; RTSP; RTP; RTCP; UDP; SMTP; FTP; DHCP; DNS; DDNS; PPPoE; IPv4/v6; QoS; UPnP; NTP; Bonjour; IEEE 802.1x; Multicast; ICMP; IGMP; TLS
Compatibility	ONVIF Profile S&G, API
Maximum User Access	10 Users / 20 Users
Smart Phone	iOS, Android
Interface	
Video Interface	N/A
Audio Interface	N/A
RS485	N/A
Alarm	N/A
General	
Power Supply	DC12V PoE (802.3af)(Class 0)
Power Consumption	Less than 5.5W
Working Environment	-30° C ~ +60° C (-22° F ~ +140° F) / Less than 95% RH
Ingress Protection	IP67
Vandal Protection	N/A
Dimensions	Φ 108mm × 84.9mm (4.25" x 3.15")

* Design and specifications are subject to change without notice.